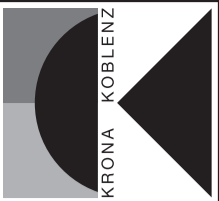


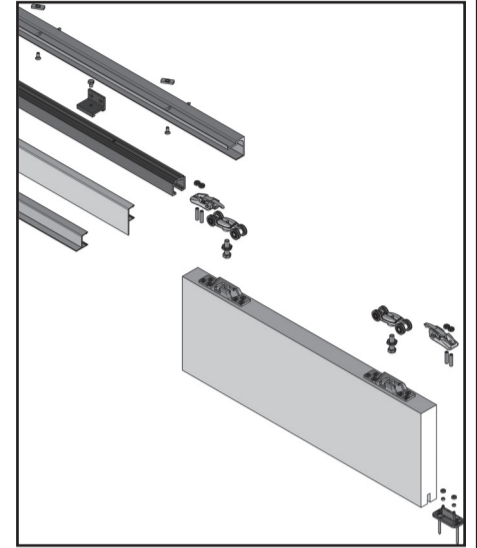
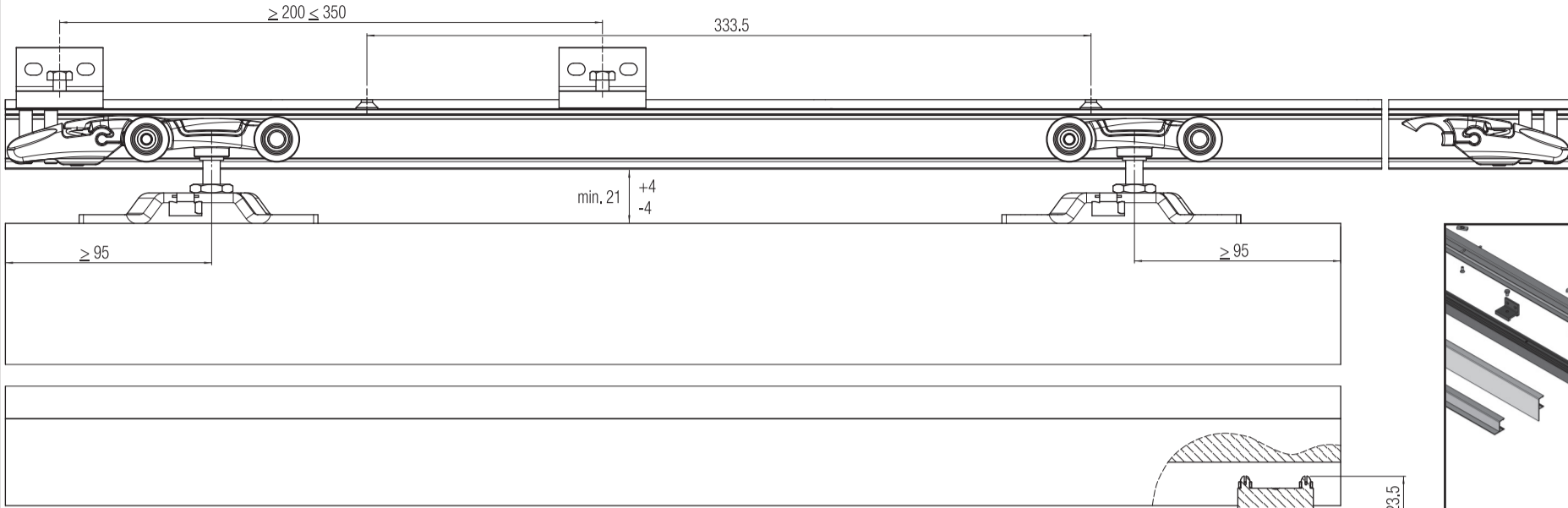
# SYSTEM 0500/50/80/120



www.k-group.com



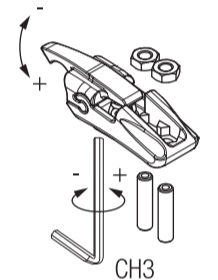
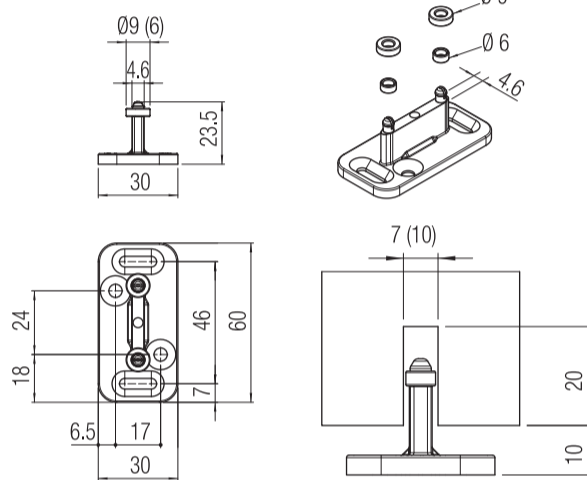
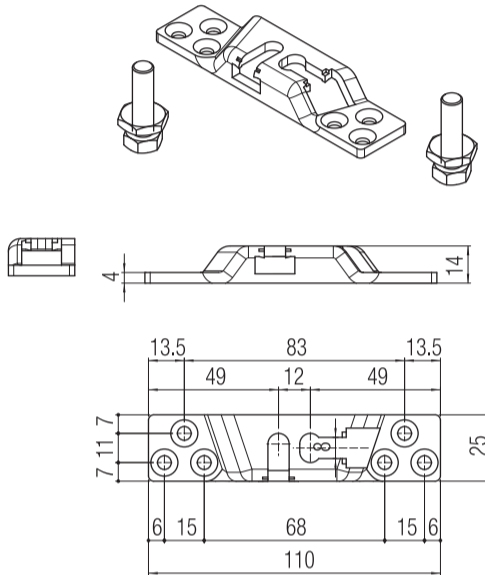
Istruzioni di Montaggio - Instrucciones de montaje - Montageanleitung - Assembling Instructions - Instructions de Montage - Montagehandleiding - Инструкции по монтажу



50 kg



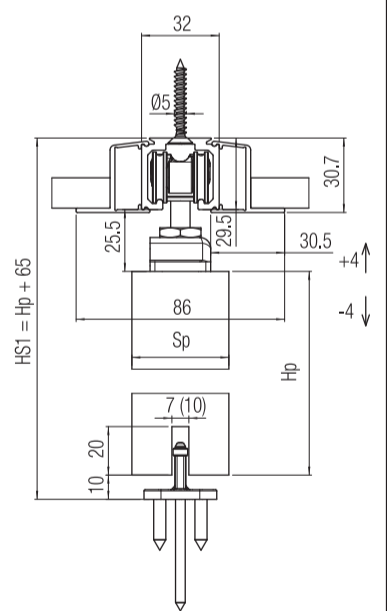
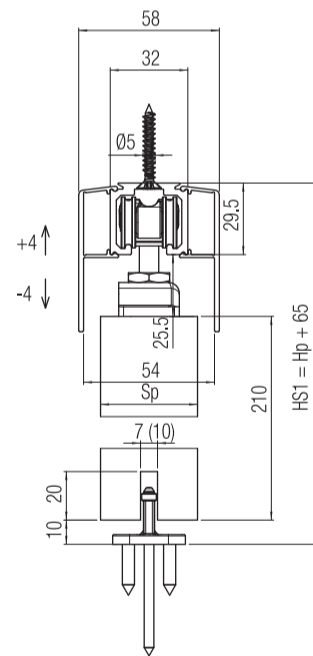
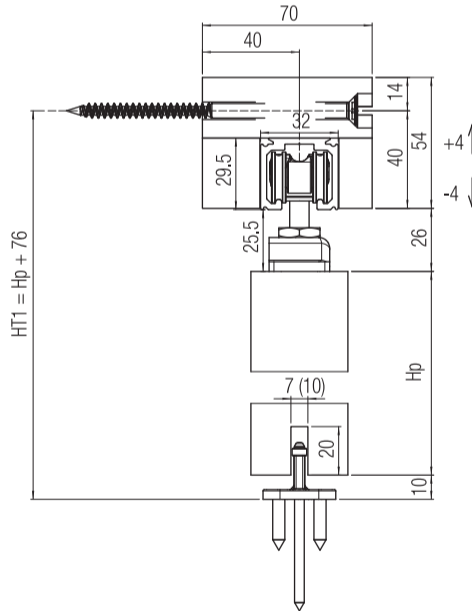
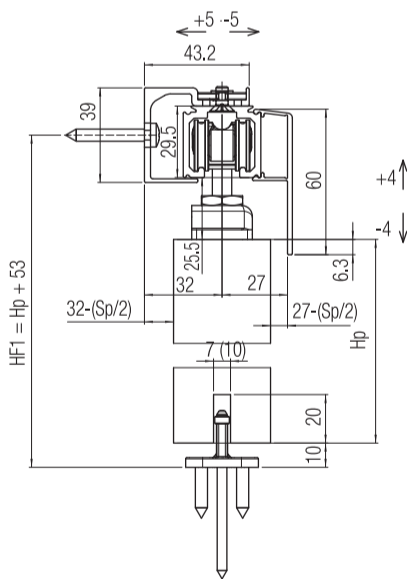
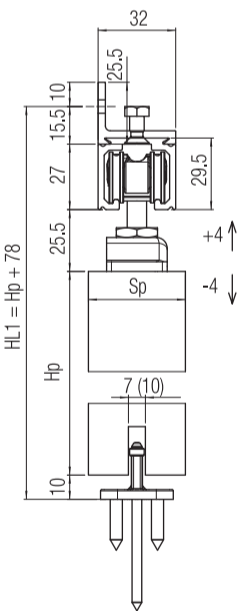
80/120 kg



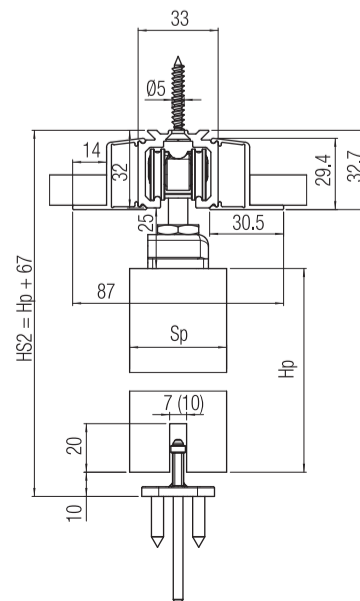
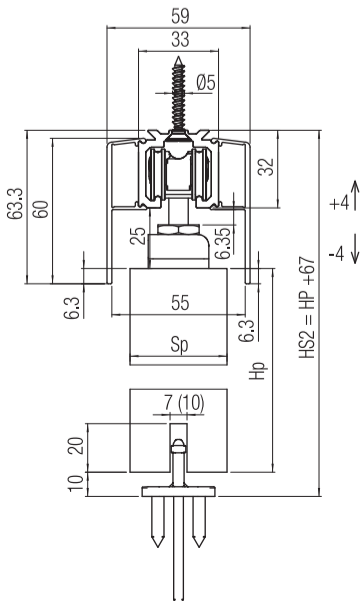
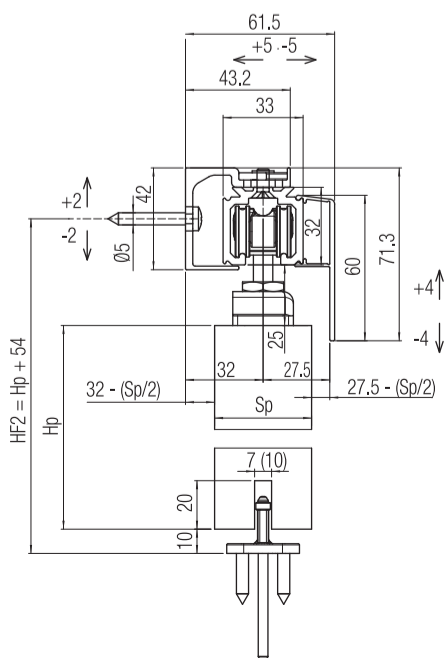
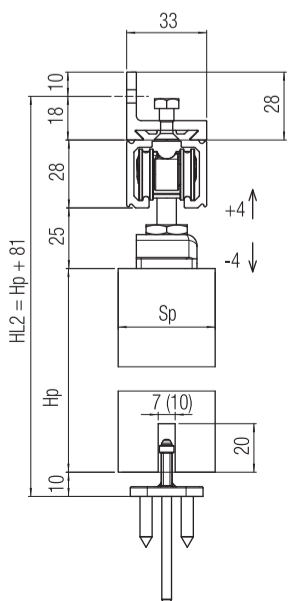
CH3



80 kg



120 kg



Lp= Larghezza pannello  
Hp= Altezza pannello  
Sp / Spv= Spessore pannello  
HS1 / HL1 / HF1 / HT1 / HS2 / HL2 / HF2= Altezza fissaggi parete

Lp= Anchura panel  
Hp= Altura panel  
Sp / Spv= Espesor panel  
HS1 / HL1 / HF1 / HT1 / HS2 / HL2 / HF2= Altura fijación pared

Lp= Türblattbreite  
Hp= Türblatthöhe  
Sp / Spv= Türblattdicke  
HS1 / HL1 / HF1 / HT1 / HS2 / HL2 / HF2= Wandbefestigungshöhen

Lp= Door leaf width  
Hp= Door leaf height  
Sp / Spv= Panel thickness  
HS1 / HL1 / HF1 / HT1 / HS2 / HL2 / HF2= Wall fixing heights

Lp= Largeur vantail  
Hp= Hauteur vantail  
Sp / Spv= Epaisseur vantail  
HS1 / HL1 / HF1 / HT1 / HS2 / HL2 / HF2= Hauteur fixation parois

Lp= Deurbreedte  
Hp= Deurhoogte  
Sp / Spv= Paneel dikte  
HS1 / HL1 / HF1 / HT1 / HS2 / HL2 / HF2= Hoogte muurbestijging

Lp= Ширина панели  
Hp= Высота панели  
Sp / Spv= Толщина панели  
HS1 / HL1 / HF1 / HT1 / HS2 / HL2 / HF2= Высота фиксации стены

