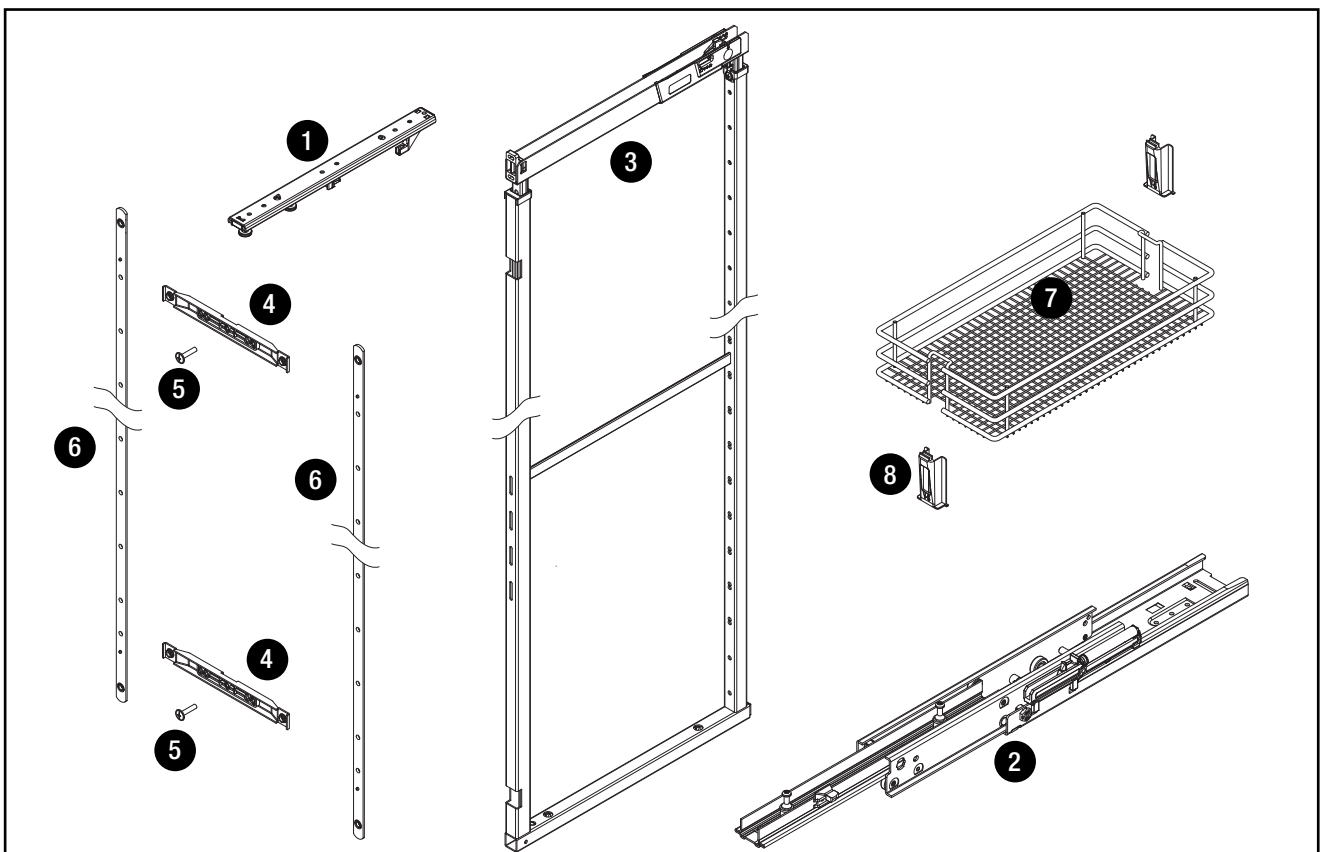
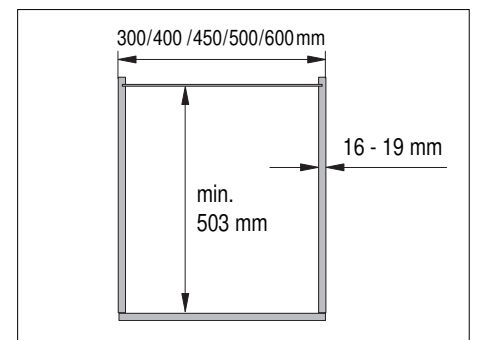
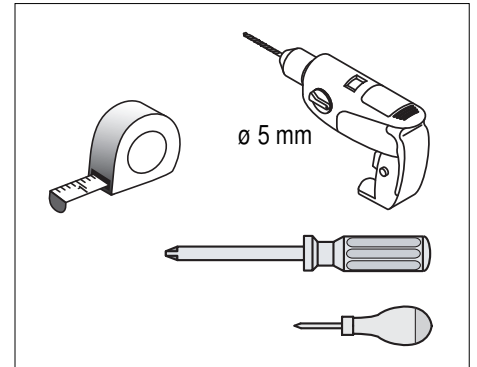
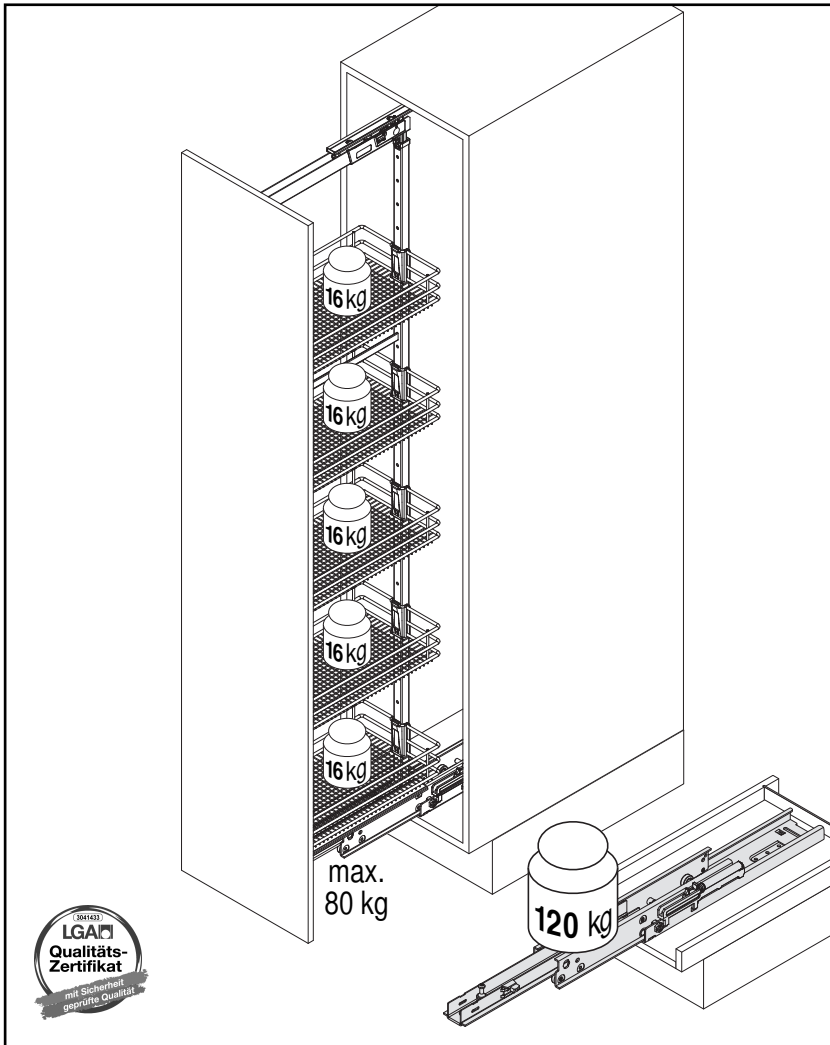
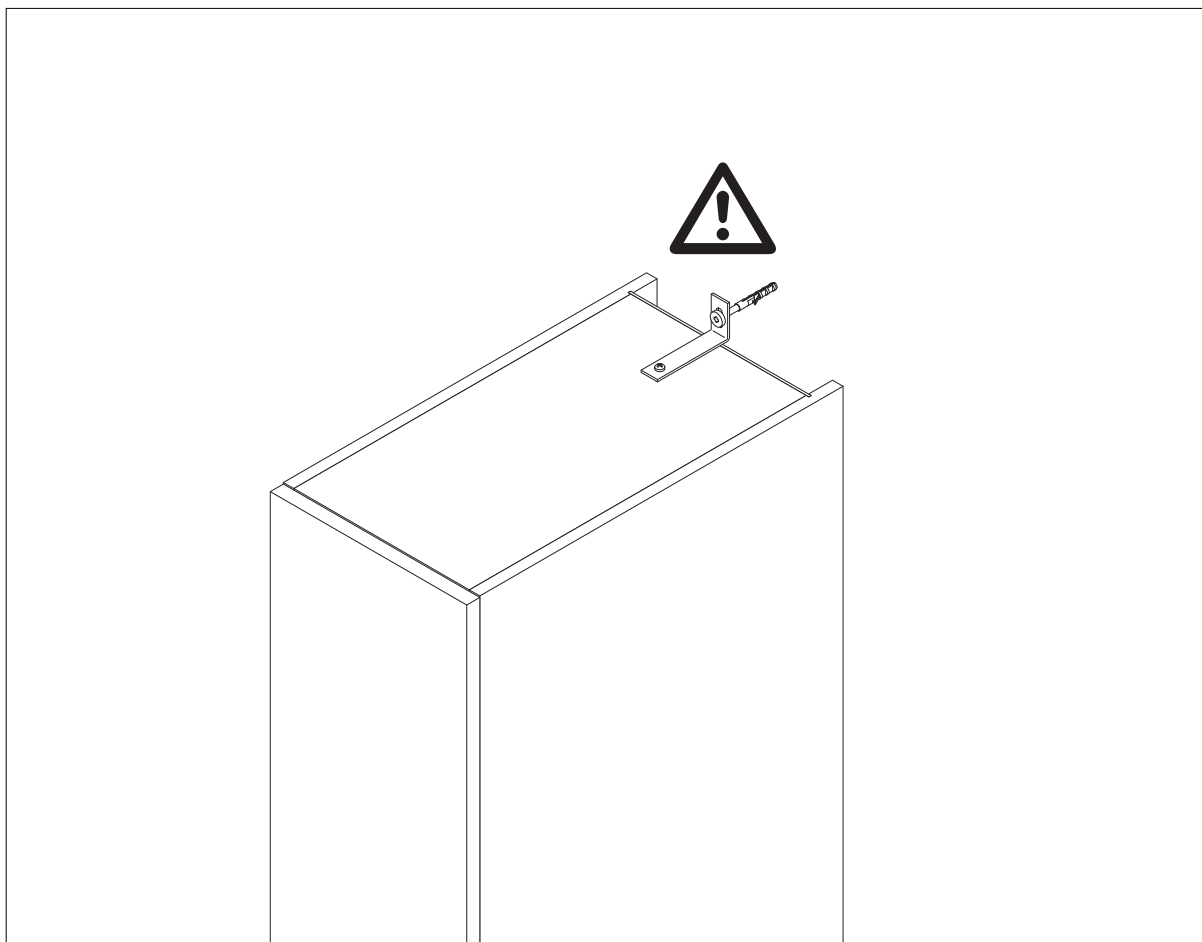
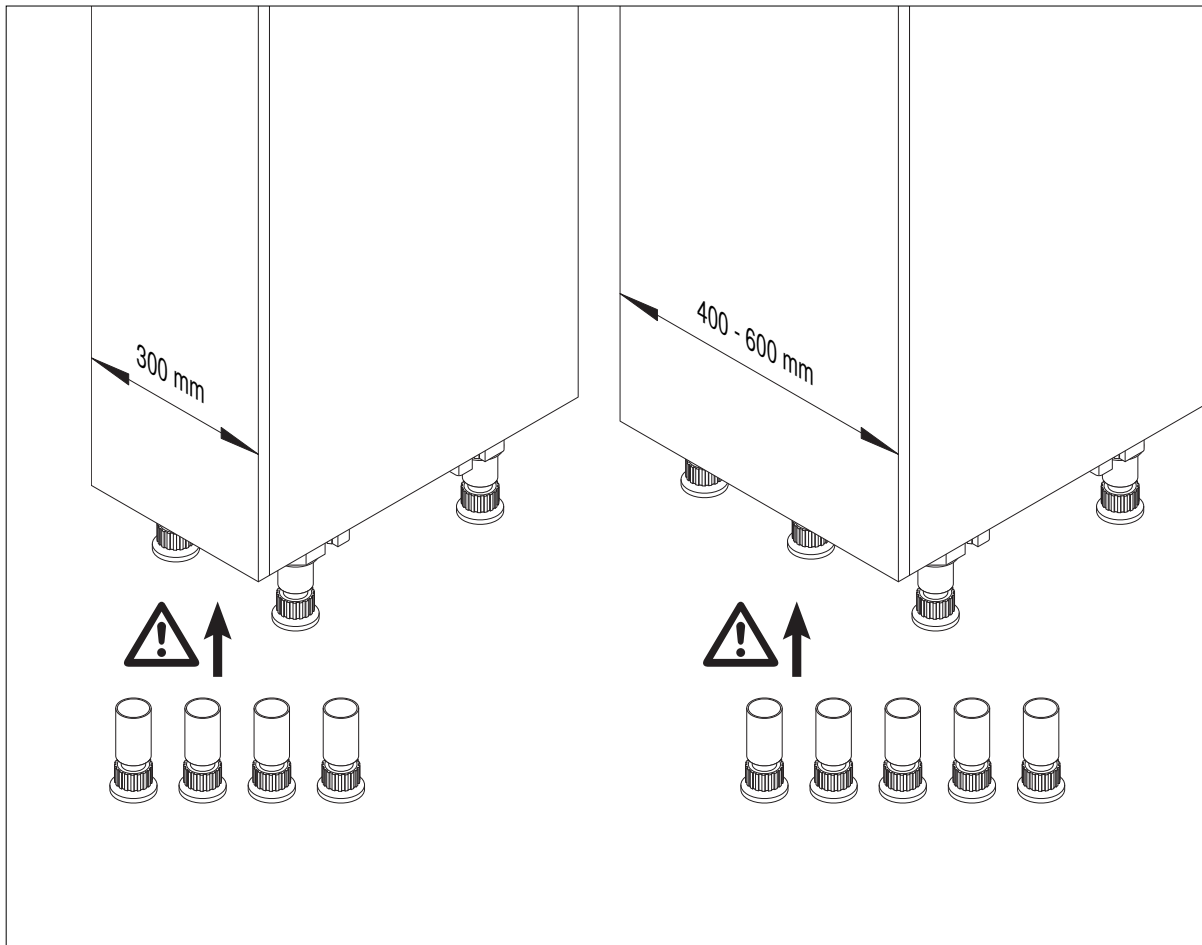




02 / 2012 / 039

HSA 500

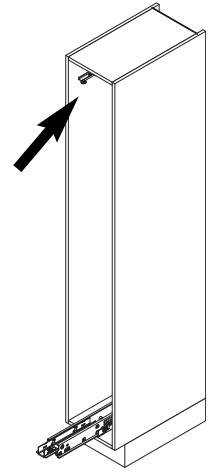
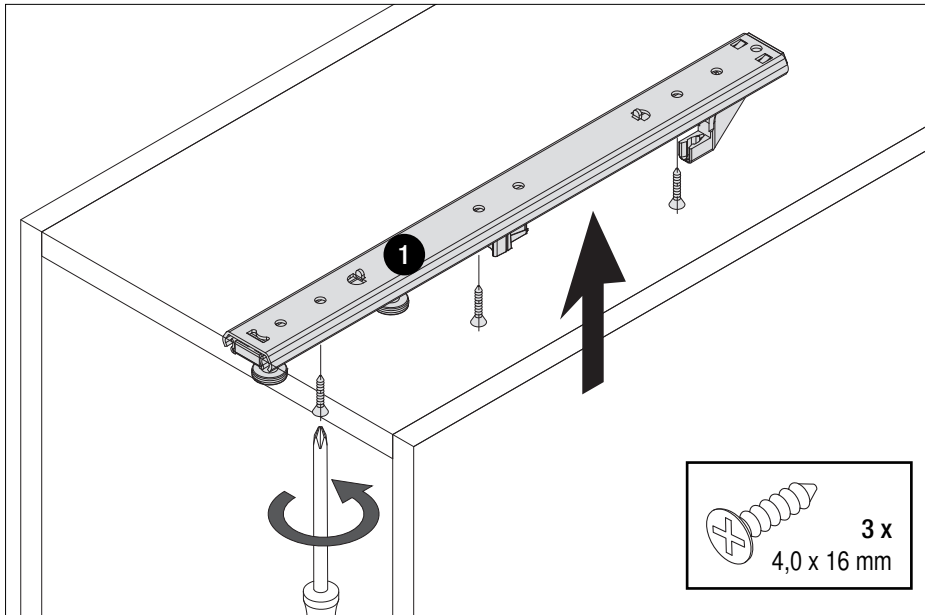




1



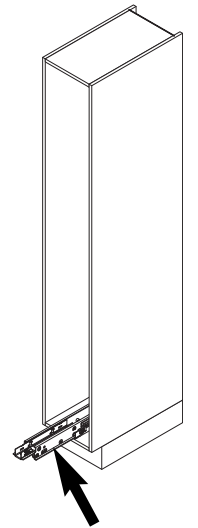
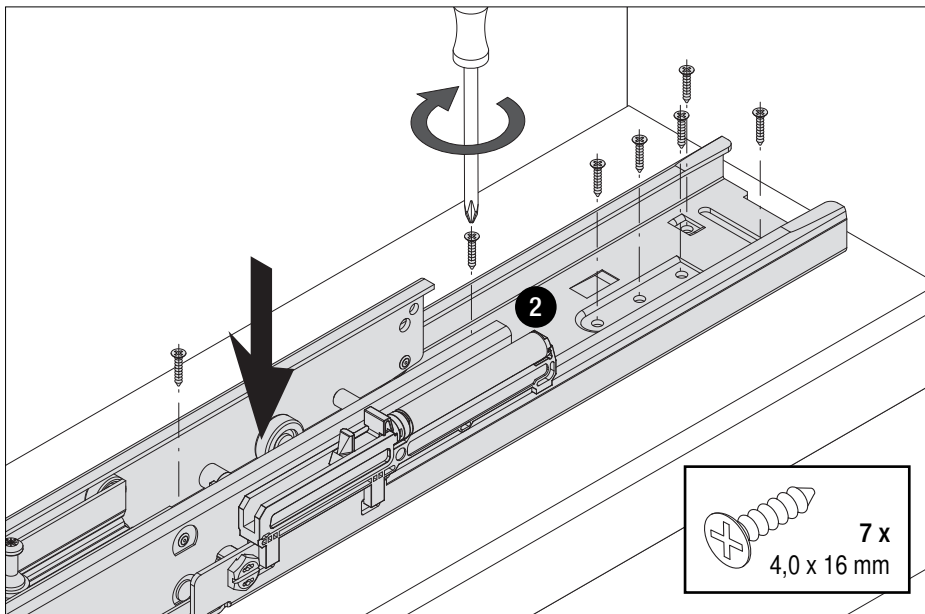
A



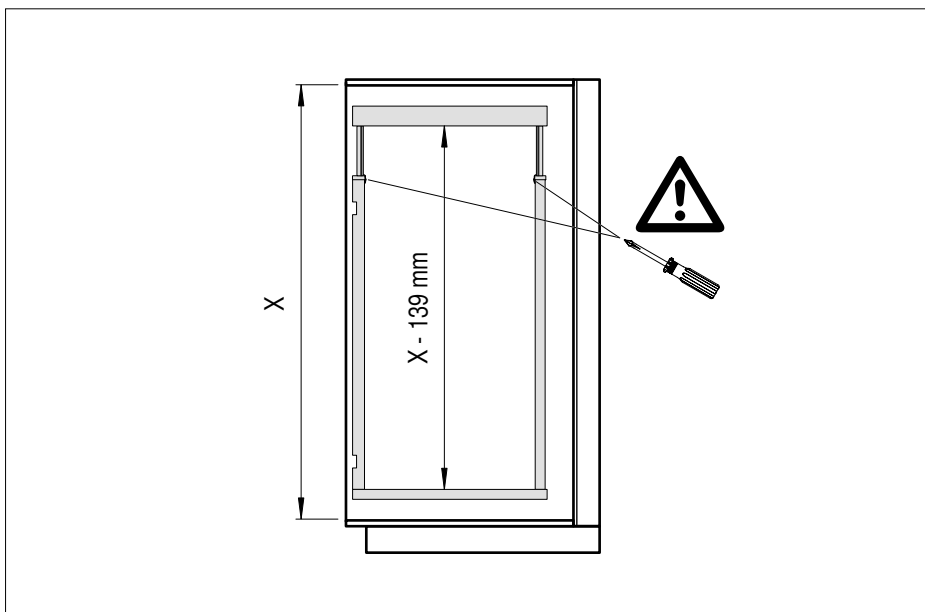
2



B



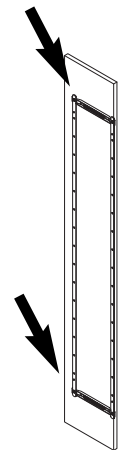
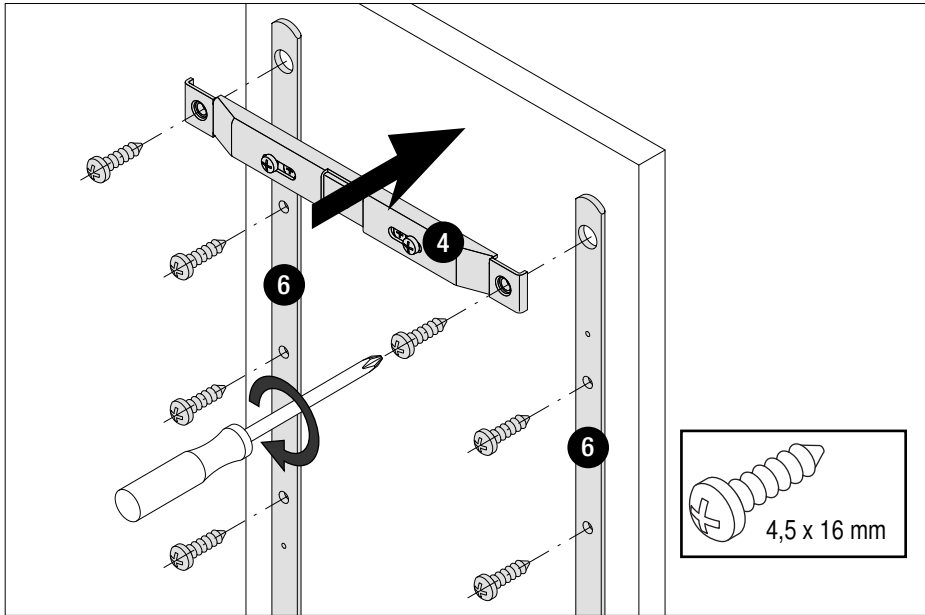
3



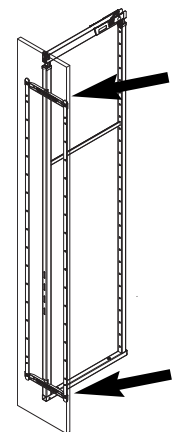
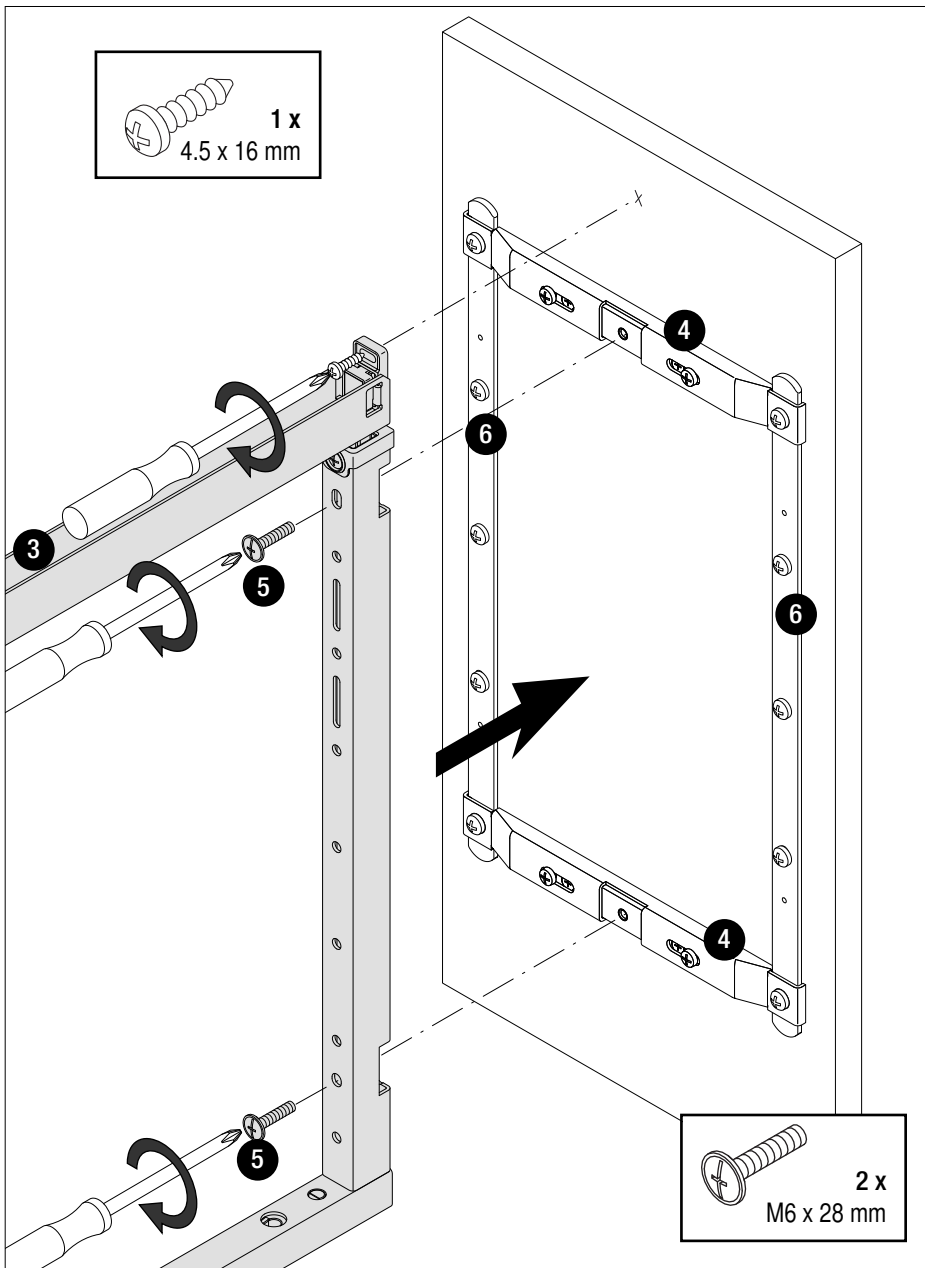
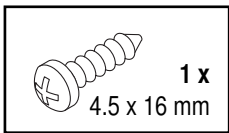
4



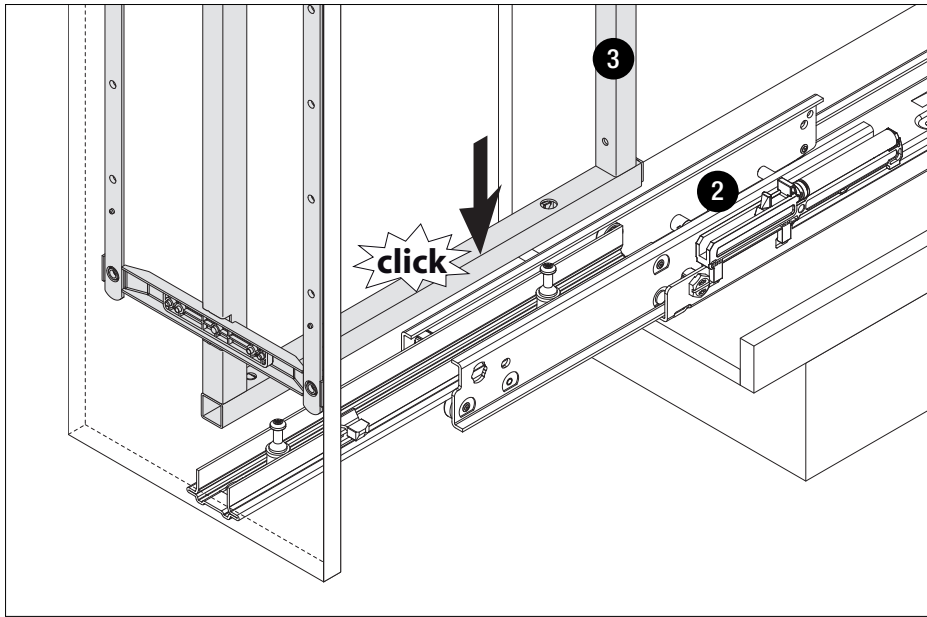
C



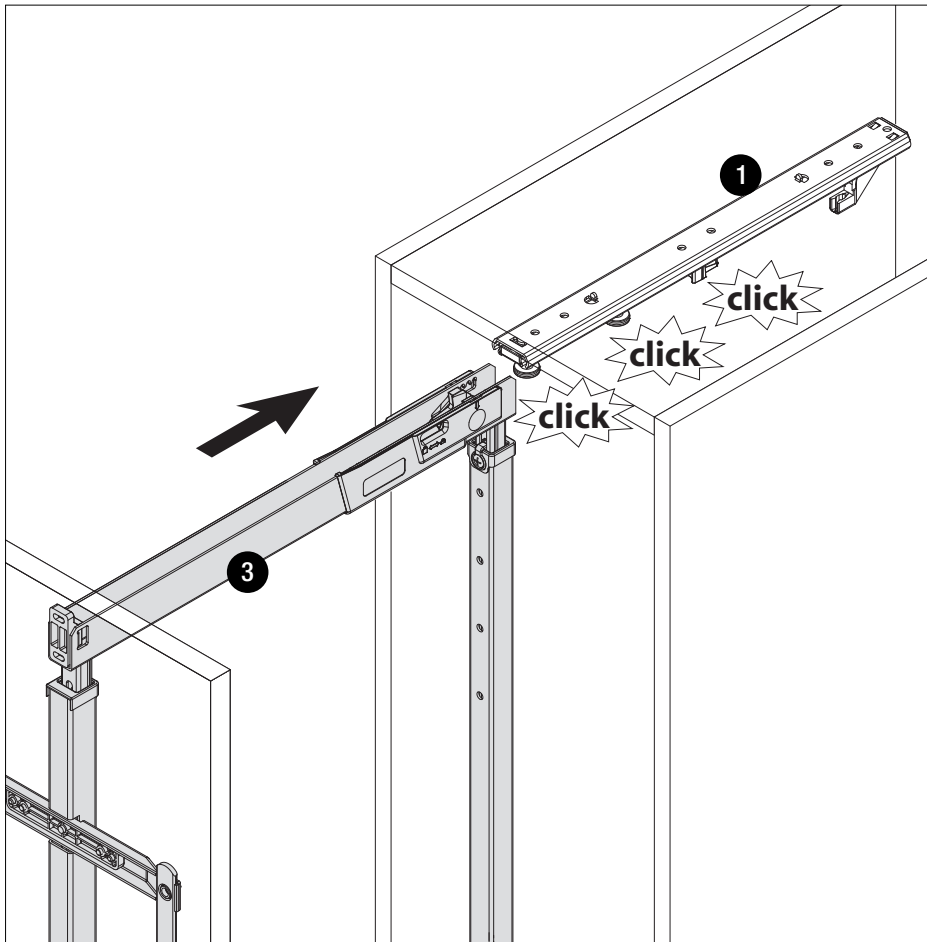
5



6

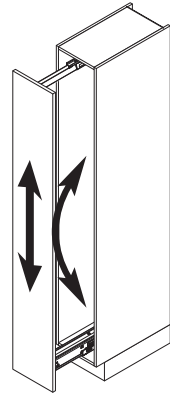
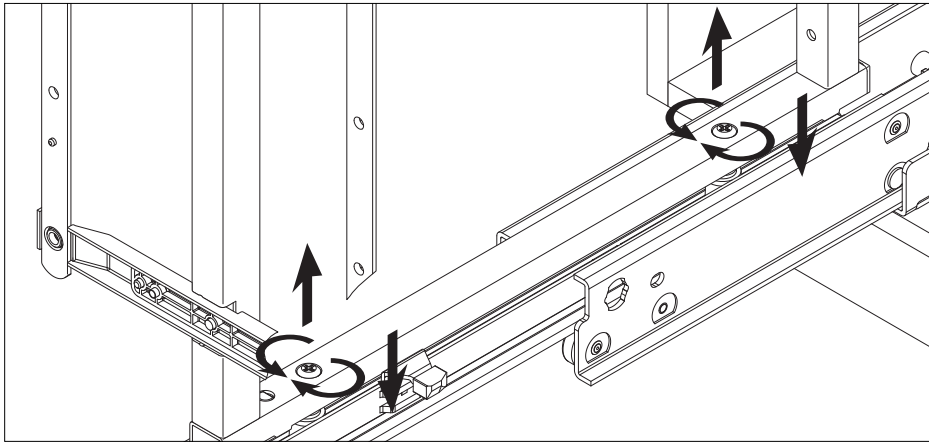
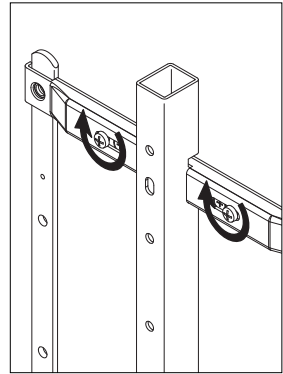
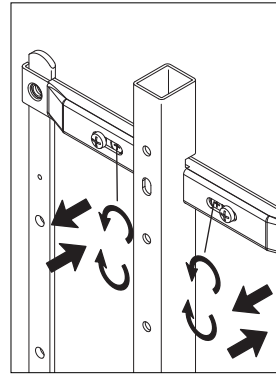
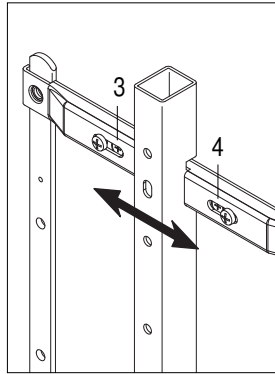
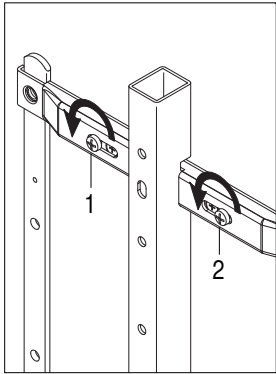
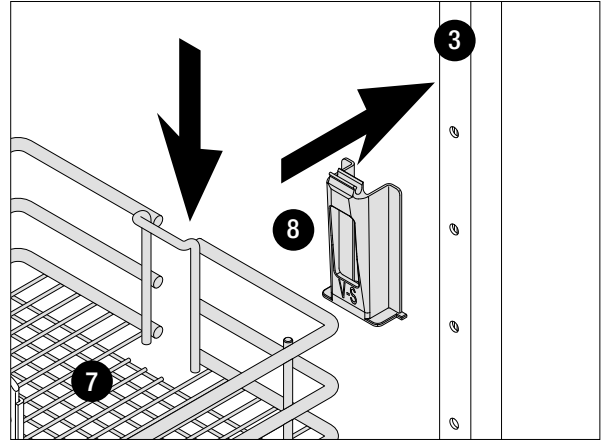
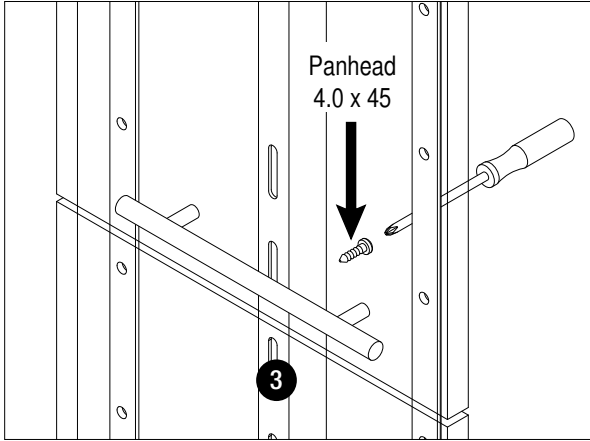


7



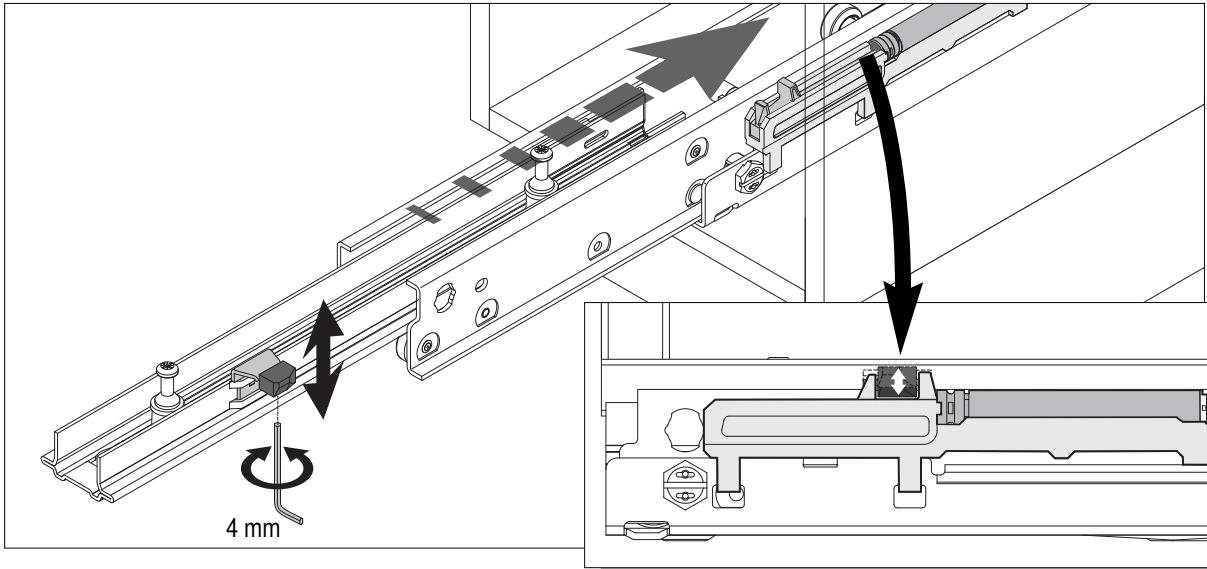


8

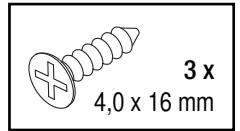
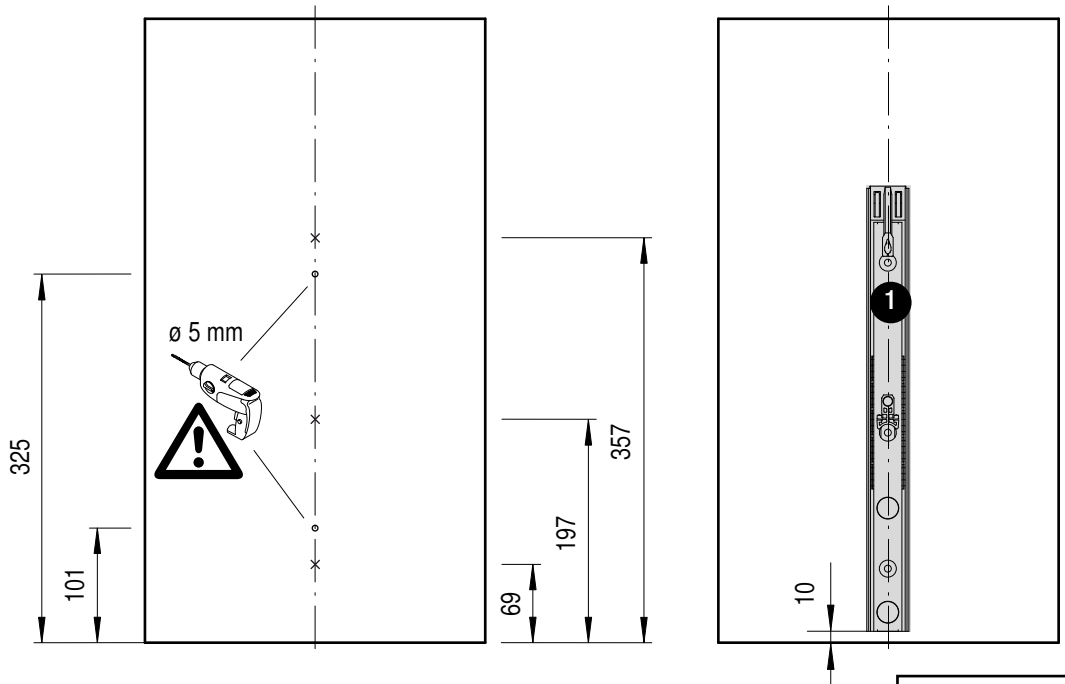
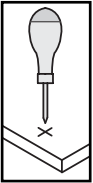


!

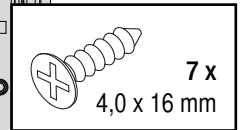
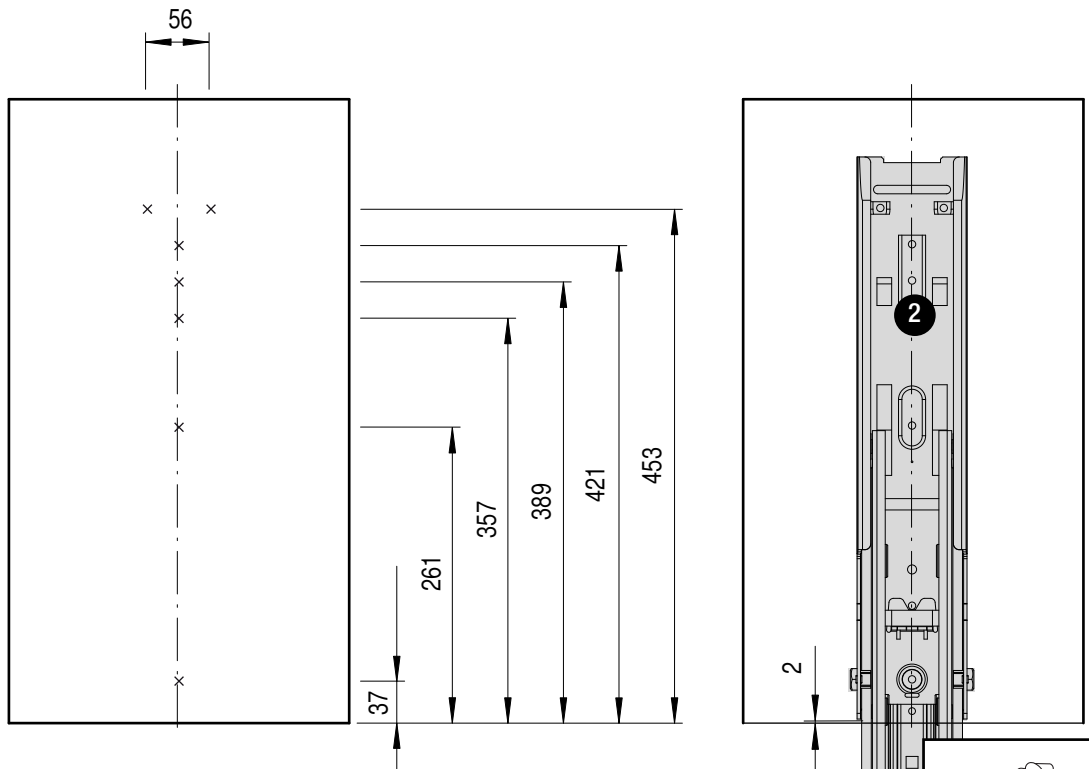
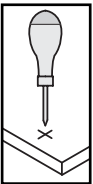
4 mm



A

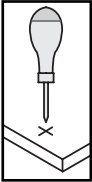


B





C



| | A | X |
|--|-----|--------|
| | 300 | 232 mm |
| | 400 | 325 mm |
| | 450 | 375 mm |
| | 500 | 425 mm |
| | 600 | 525 mm |

| | ø 5 mm | ø 5 mm | ø 5 mm | ø 5 mm | ø 5 mm |
|-------|--------|--------|------------|---------|---------|
| | E | F | G | H | I |
| HSA 1 | 64 mm | 96 mm | 2 x 96 mm | 256 mm | 384 mm |
| HSA 2 | 64 mm | 128 mm | 4 x 96 mm | 512 mm | 640 mm |
| HSA 3 | 64 mm | 112 mm | 7 x 96 mm | 768 mm | 896 mm |
| HSA 4 | 64 mm | 96 mm | 10 x 96 mm | 1024 mm | 1152 mm |
| HSA 5 | 64 mm | 128 mm | 12 x 96 mm | 1280 mm | 1408 mm |
| HSA 6 | 64 mm | 96 mm | 14 x 96 mm | 1408 mm | 1536 mm |
| HSA 7 | 64 mm | 96 mm | 16 x 96 mm | 1600 mm | 1728 mm |



- Step 1: Insert the HSA rail into the cabinet frame.
- Step 2: Push the rail into the frame until it is fully seated.
- Step 3: Push the rail into the frame until it is fully seated.
- Step 4: Push the rail into the frame until it is fully seated.
- Step 5: Push the rail into the frame until it is fully seated.