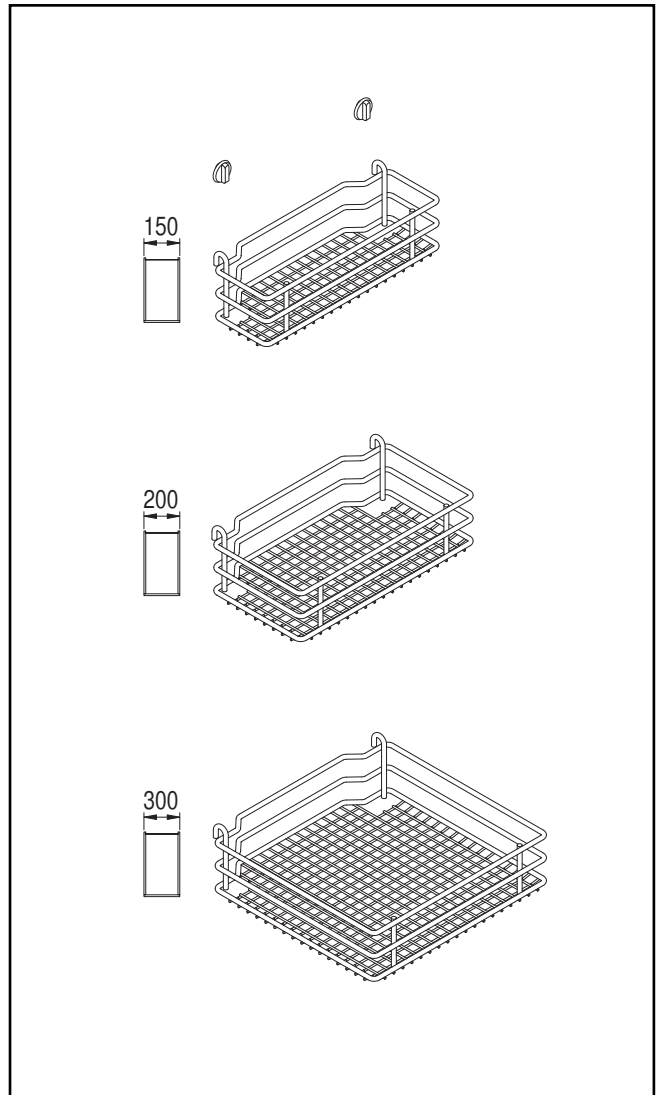
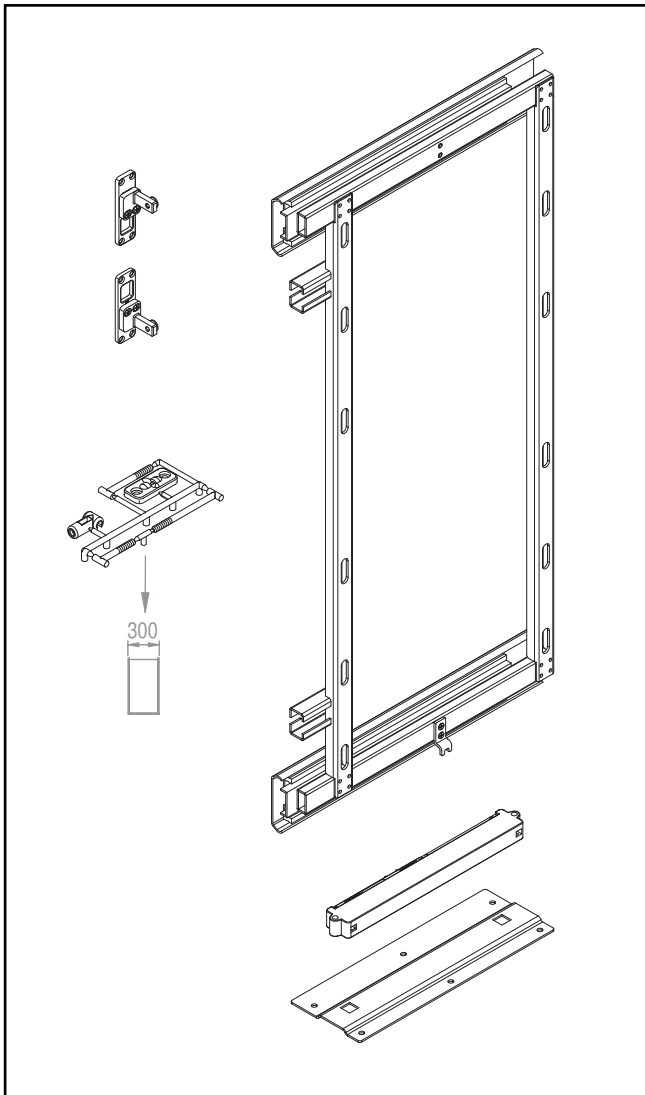
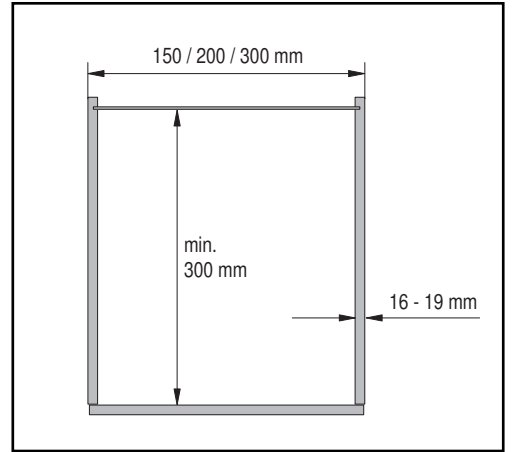
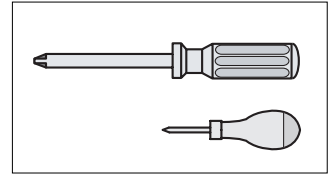


08 / 2011 / 007

# BSSA-D/R



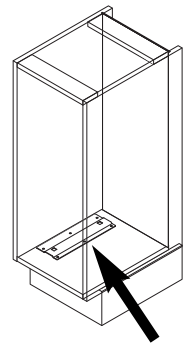
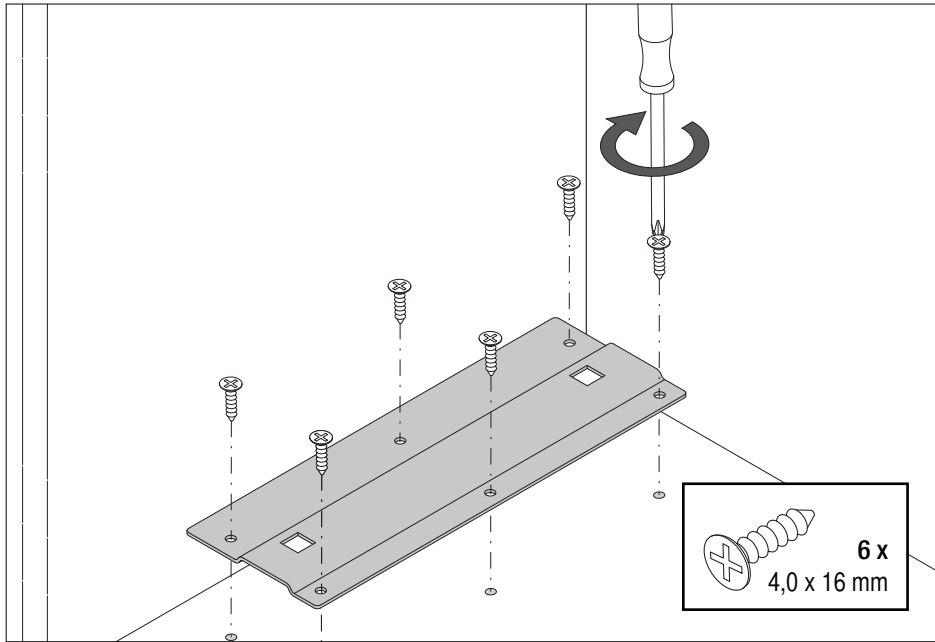
44007387\_00



1



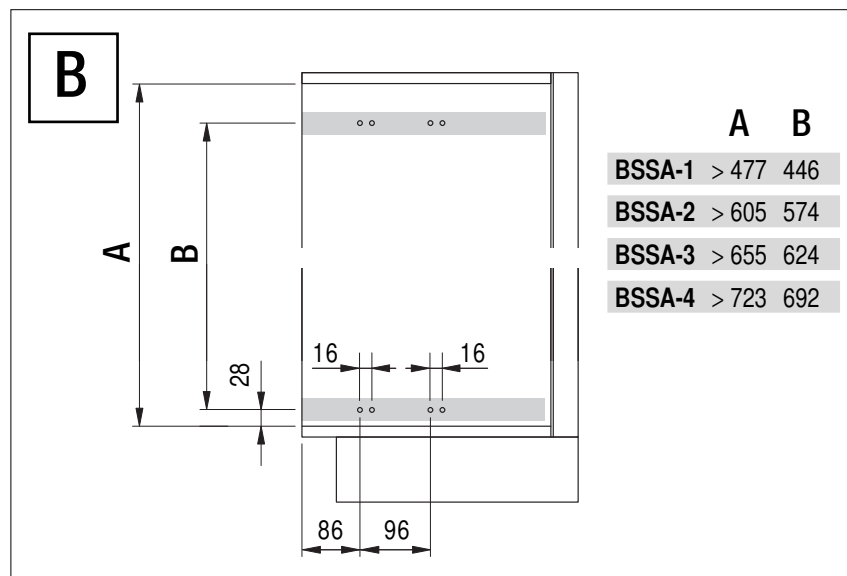
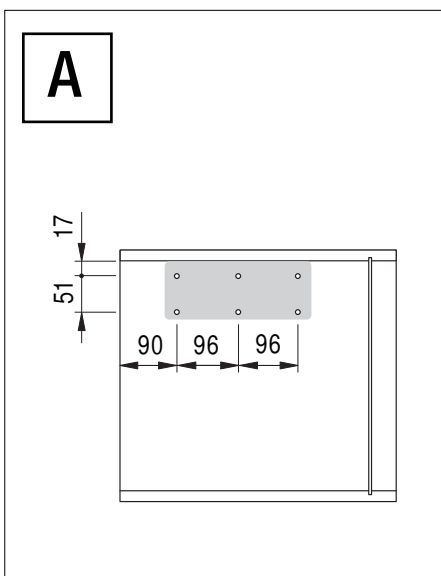
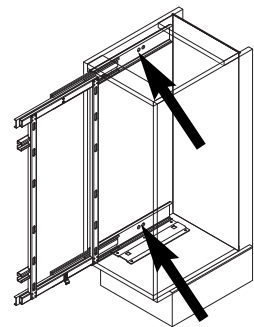
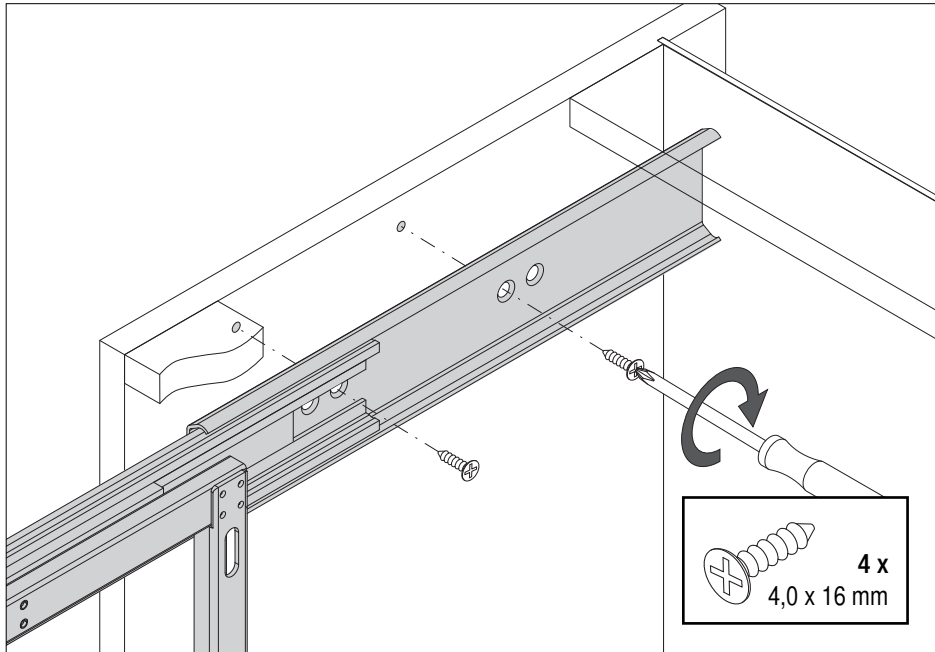
A



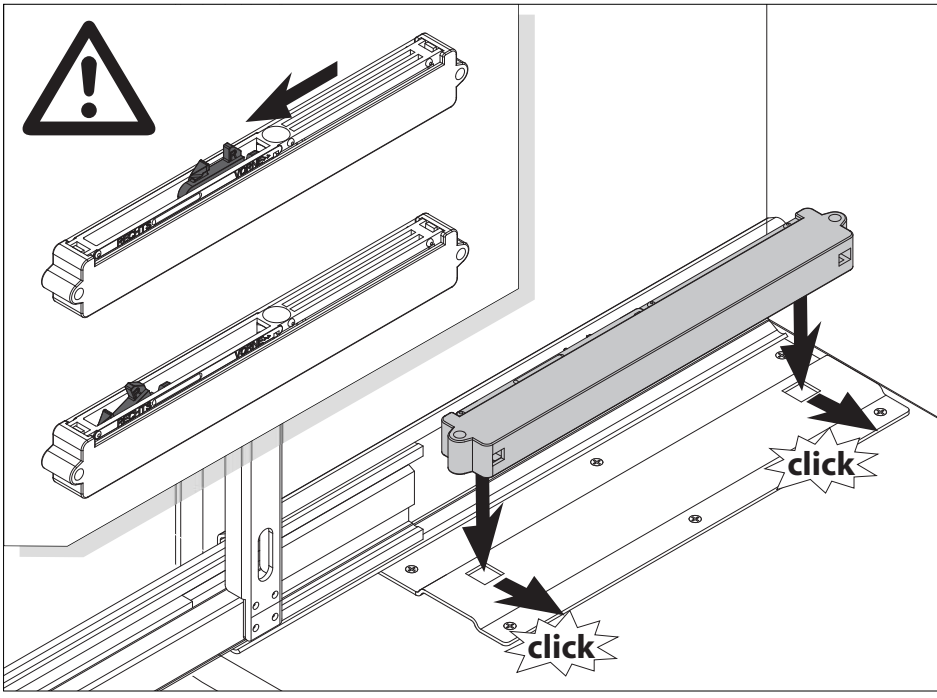
2



B



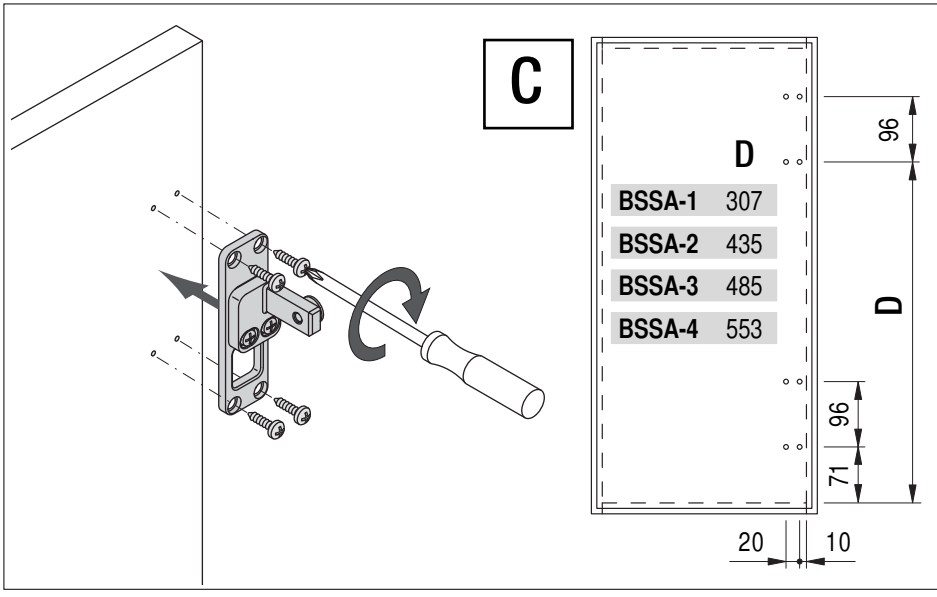
3



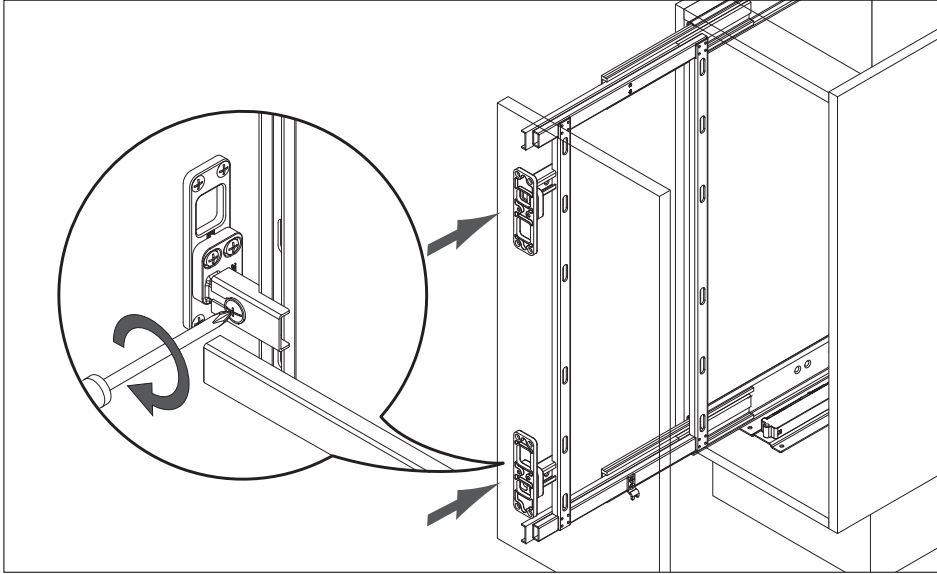
4



C

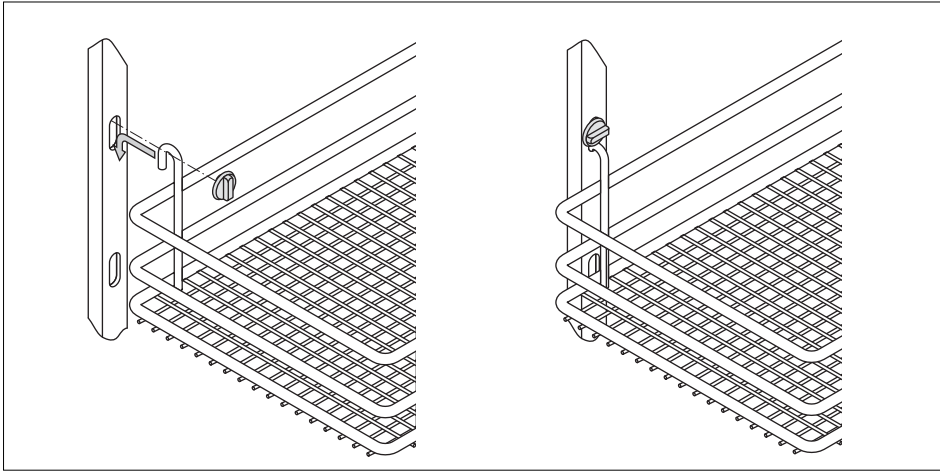


5

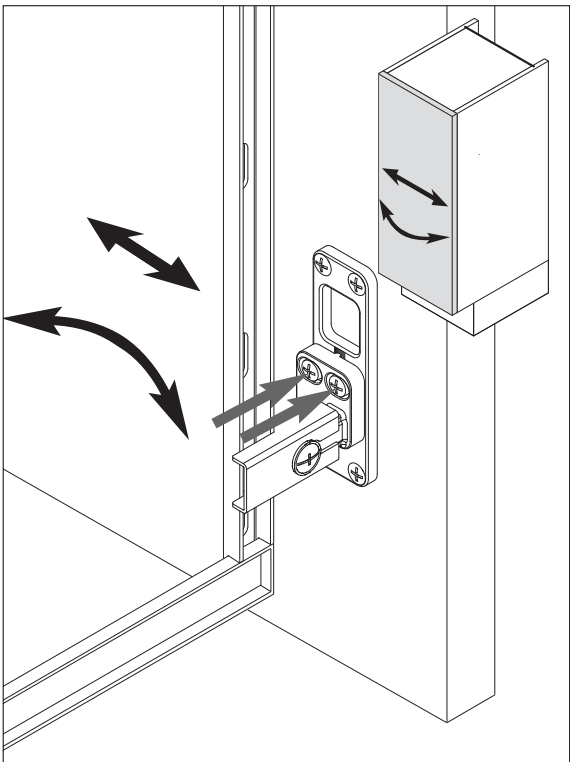




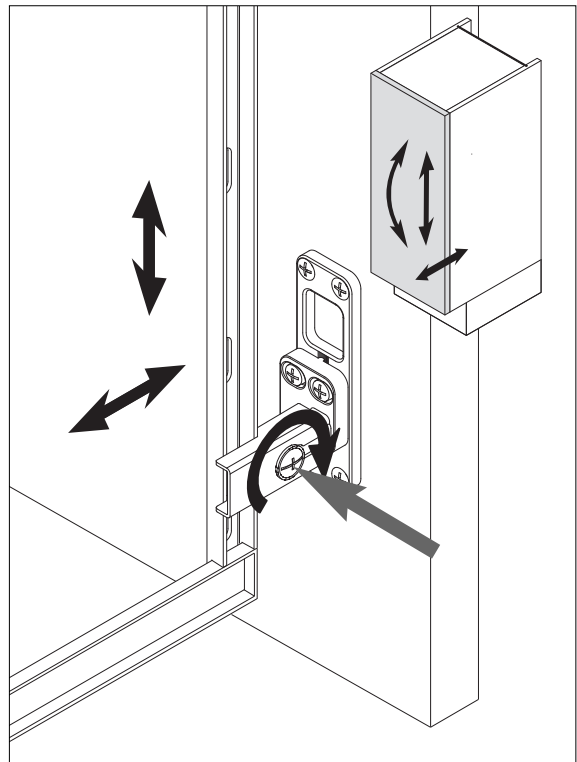
6



I



II



III

