



## CORNER UNIT RECORNER MAXX

The corner unit solution with optimum storage space.

The Recorner maxx corner unit solution stands out because of its unique construction. There are no central, space-taking uprights. This creates up to 20 percent more storage space in the middle of the base, ideal for storing awkward kitchen utensils. The bases are stabilised by a traverse that runs through the cabinet. This function is also useful for dishwasher base corner units. It also wins out aesthetically: no more visually distracting parts. The mechanics are practically invisible.

### Details

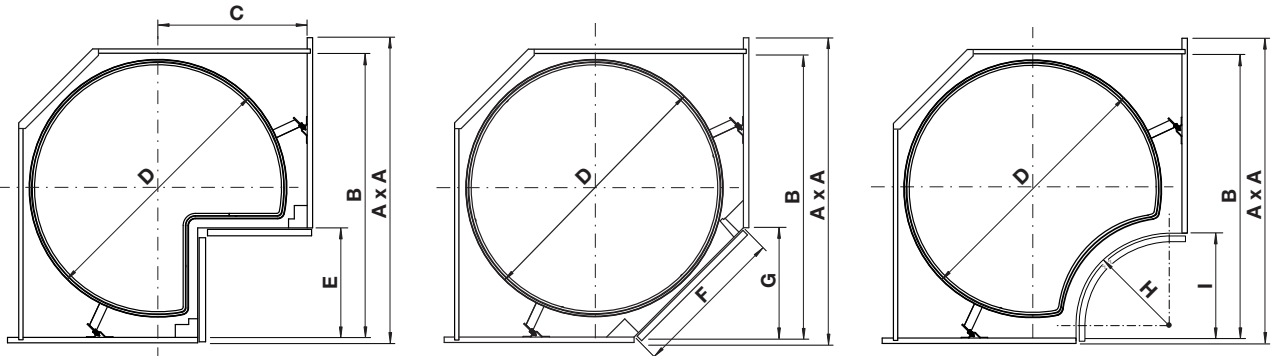
- Cabinet width: 600×600, 650×650, 800×800 and 900×900 mm
- Minimum side installation depth: 490 mm
- EasyFit: tool-free installation of storage units onto the supporting arms
- Flexible base positioning irrespective of cabinet height
- Can be installed in lower units, high units and wall units
- Can be installed into an existing kitchen
- Maximum load-bearing: 27.5 kg per base (in units measuring 600 x 600 mm and 650 x 650 mm, max. 12 kg per base)
- Unit versions: 3/4, 4/4 and concave
- Storage versions: Basic, Rail and Smart






09 / 2013

# RECORNER MAXX

## Cabinet dimensions



A x A	B	C	D				E	F	G	H	I
600 x 600	> 555	310	460	< 282	< 399	< 282	> R210	< 282			
600 x 600	> 565	310	480	< 265	< 367	< 259	> R320	< 284			
650 x 650	> 615	360	480	< 315	< 508	< 359					
800 x 800	> 745	390	680	< 235	< 393	< 278					
900 x 900	> 815	440	720	< 322	< 494	< 350	> R250	< 322			
900 x 900	> 835	440	760	< 335	< 455	< 321	> R322	< 322			

Measurements in mm

### Cabinet dimensions

**Widths:** 600 x 600, 650 x 650, 800 x 800, 900 x 900 mm

**Side depth:** min. 490 mm

**Internal height:** 620 mm

**Load capacity:** 27,5 kg per shelf  
(600 x 600 and 650 x 650 mm: 12 kg)

### Shelf variants:

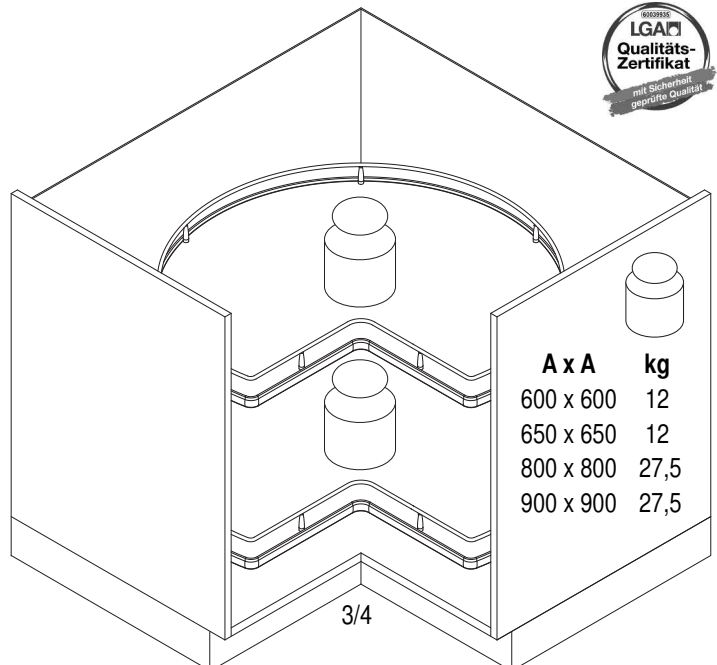
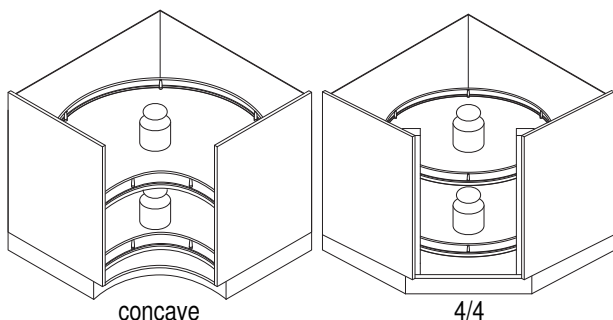
**Rail:** Rail with wire railing and edge in chrome, RAL 9006 or champagne

**Basic:** with high edge in chrome, RAL 9006, or stainless steel

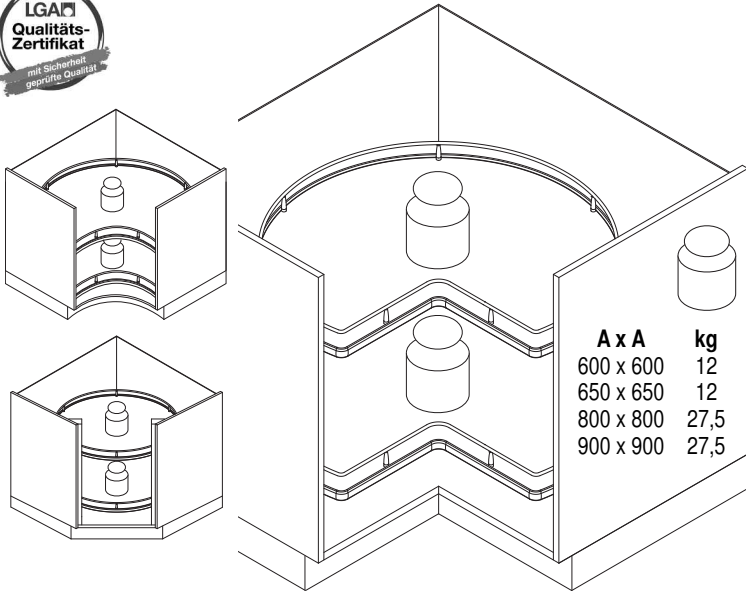
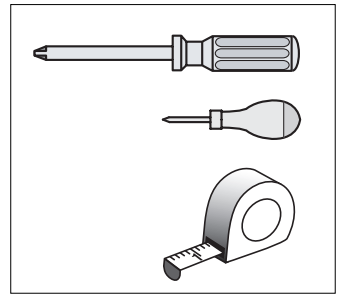
**Smart:** edge in chrome or RAL 9006 with semirigid polymer railing

### Specification

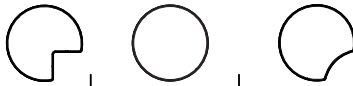
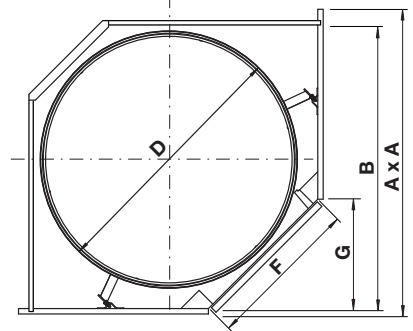
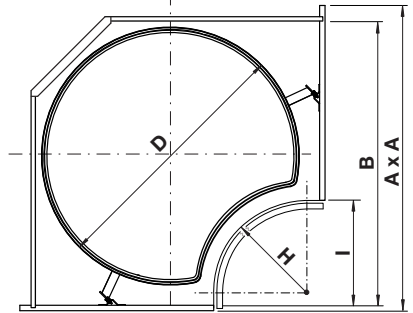
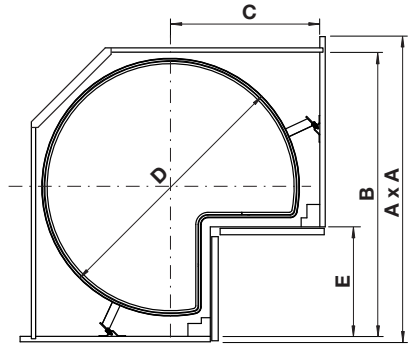
**Fitting:** RAL 9010  
for base, high and wall units



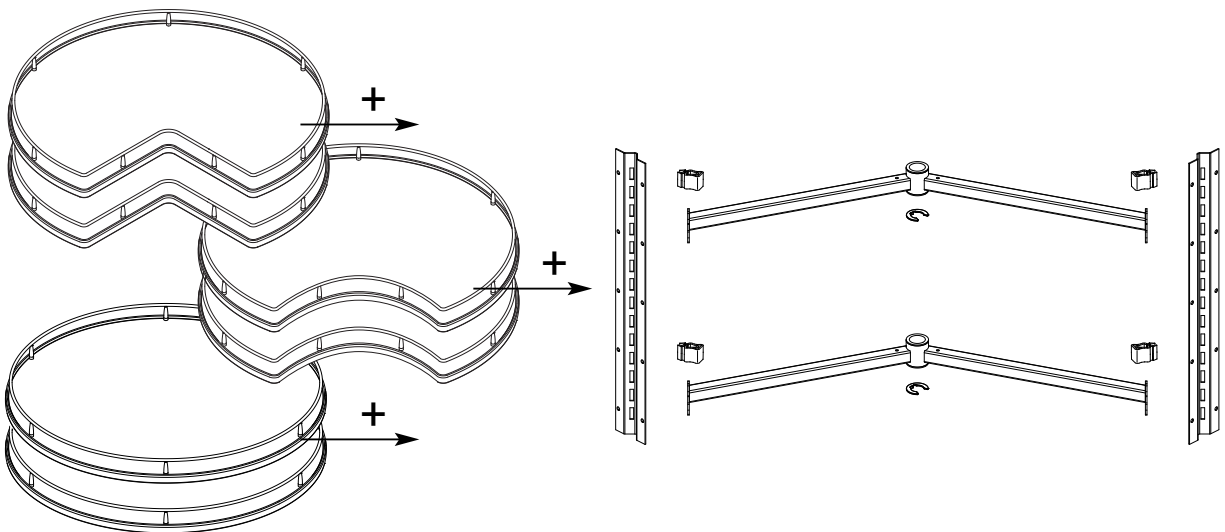
# RECORNER MAXX®



A x A	kg
600 x 600	12
650 x 650	12
800 x 800	27,5
900 x 900	27,5

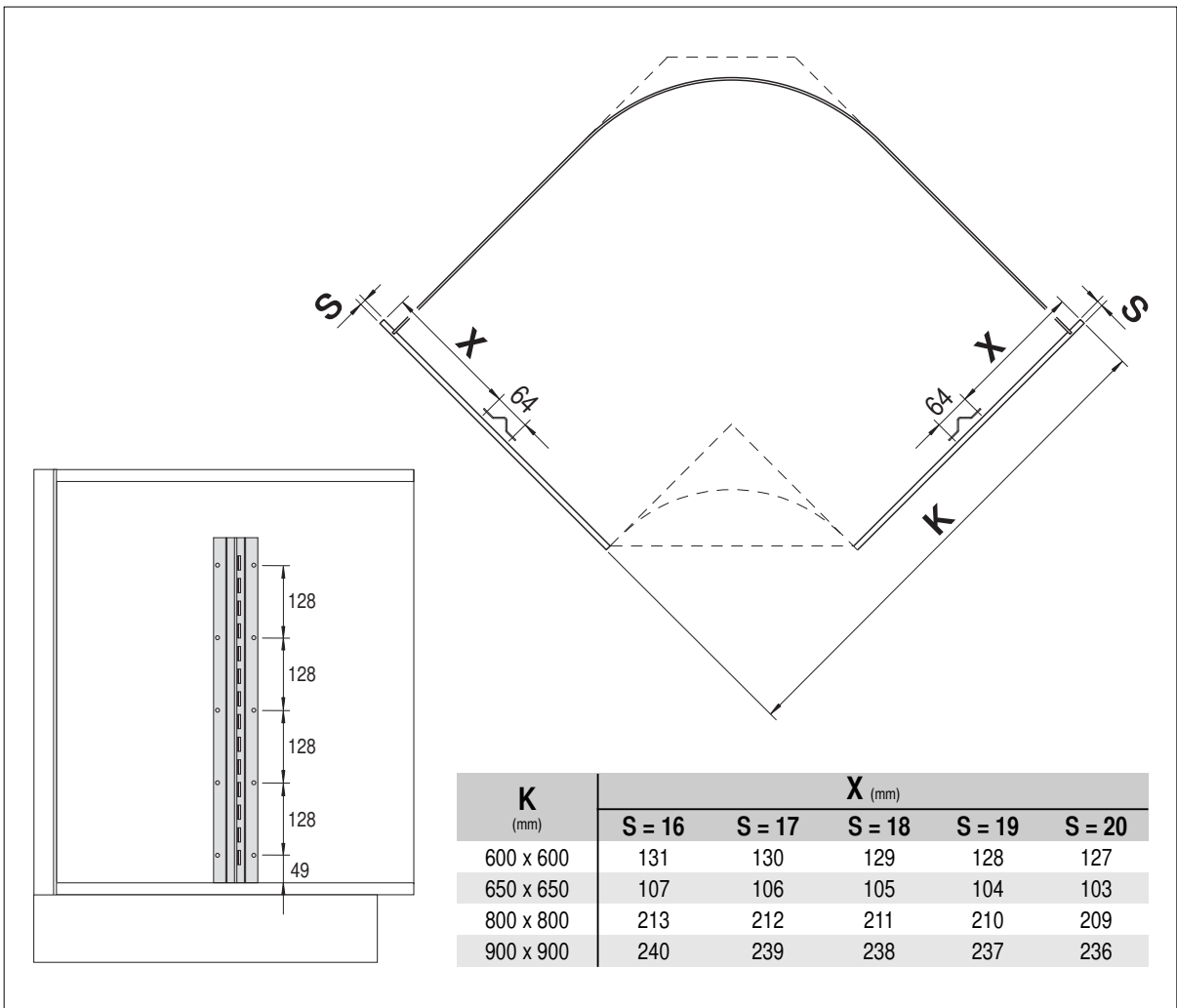
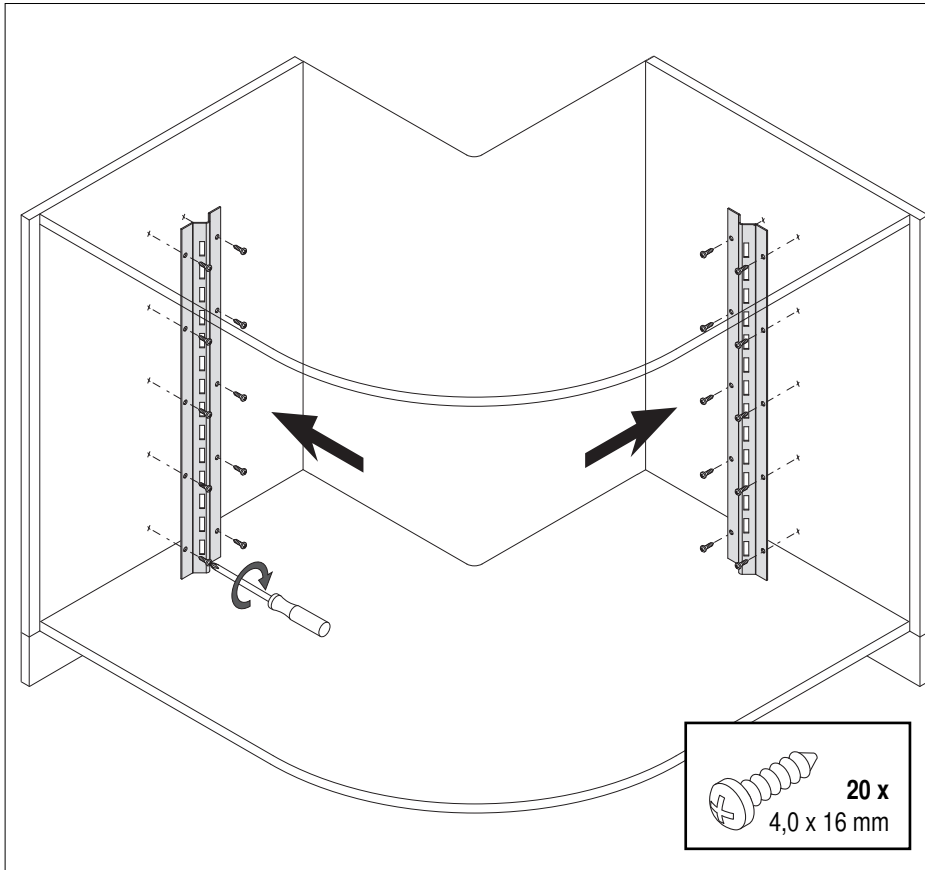


A x A (mm)	B (mm)	C (mm)	D (mm)	E (mm)	F (mm)	G (mm)	H (mm)	I (mm)
600 x 600	> 555	310	460	< 282	< 399	< 282	> R210	< 282
600 x 600	> 565	310	480	< 265	< 367	< 259	> R320	< 284
650 x 650	> 615	360	480	< 315	< 508	< 359		
800 x 800	> 745	390	680	< 235	< 393	< 278		
900 x 900	> 815	440	720	< 322	< 494	< 350	> R250	< 322
900 x 900	> 835	440	760	< 335	< 455	< 321	> R322	< 322

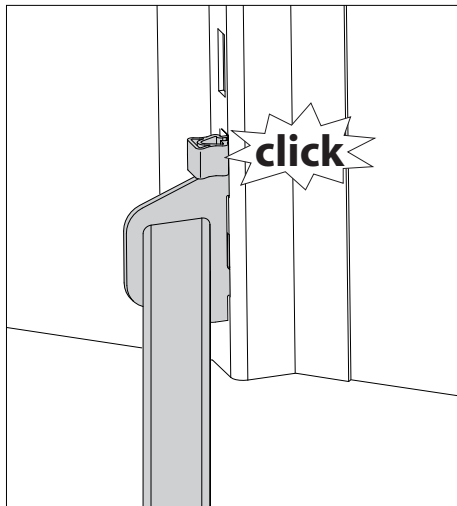
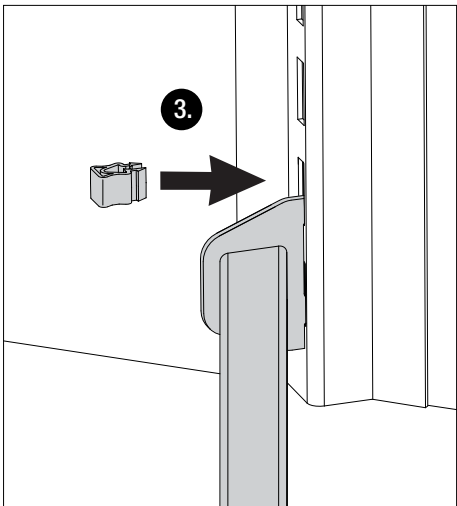
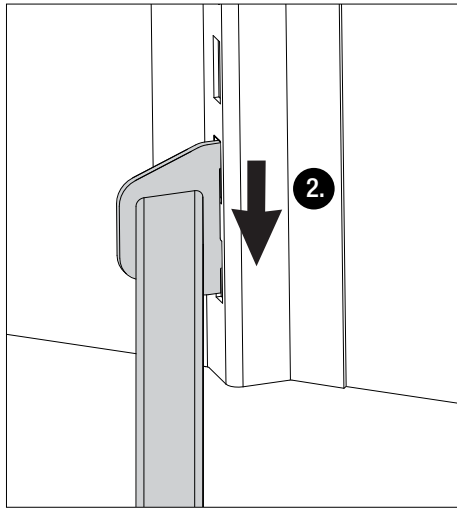
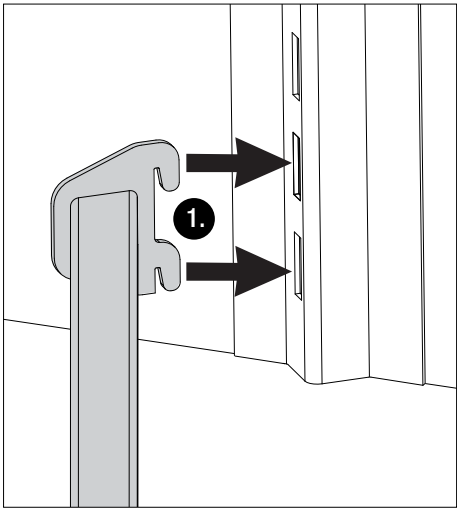
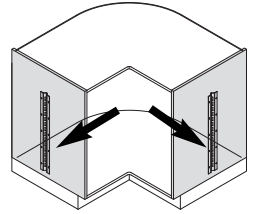
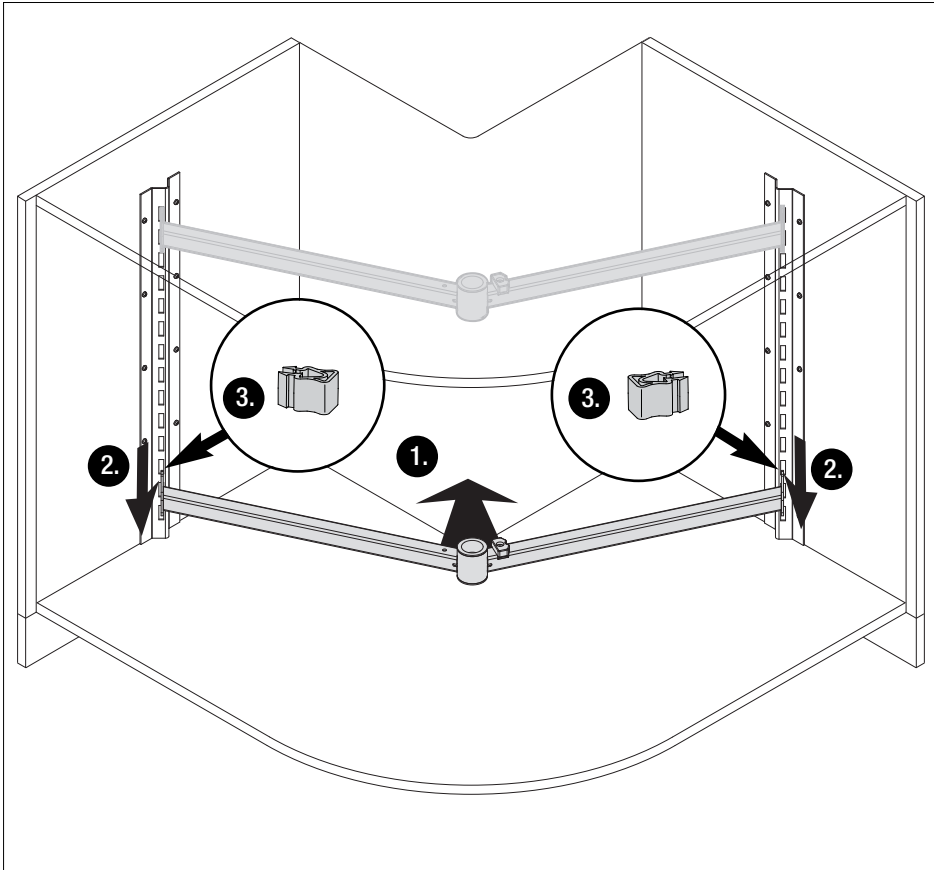




1

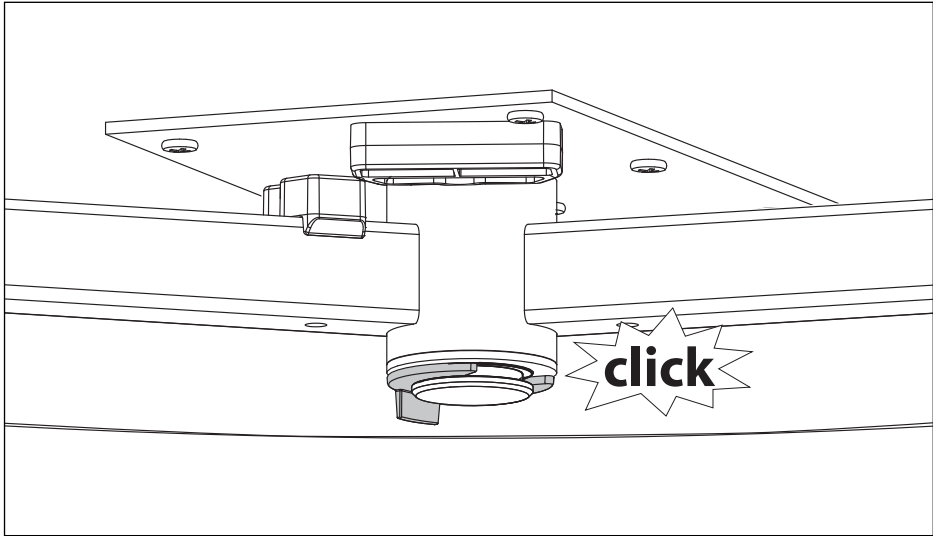
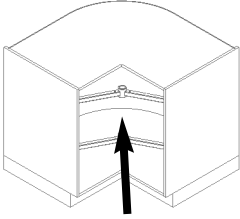
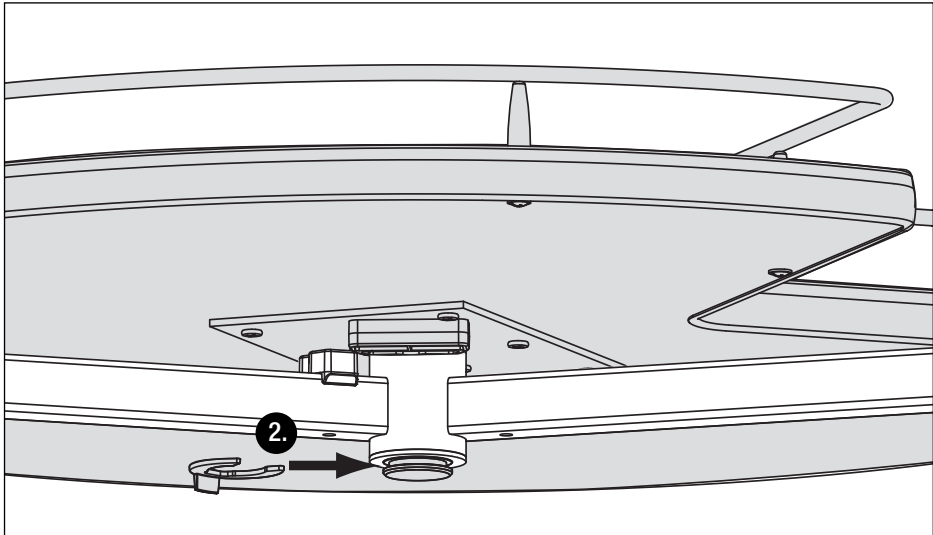
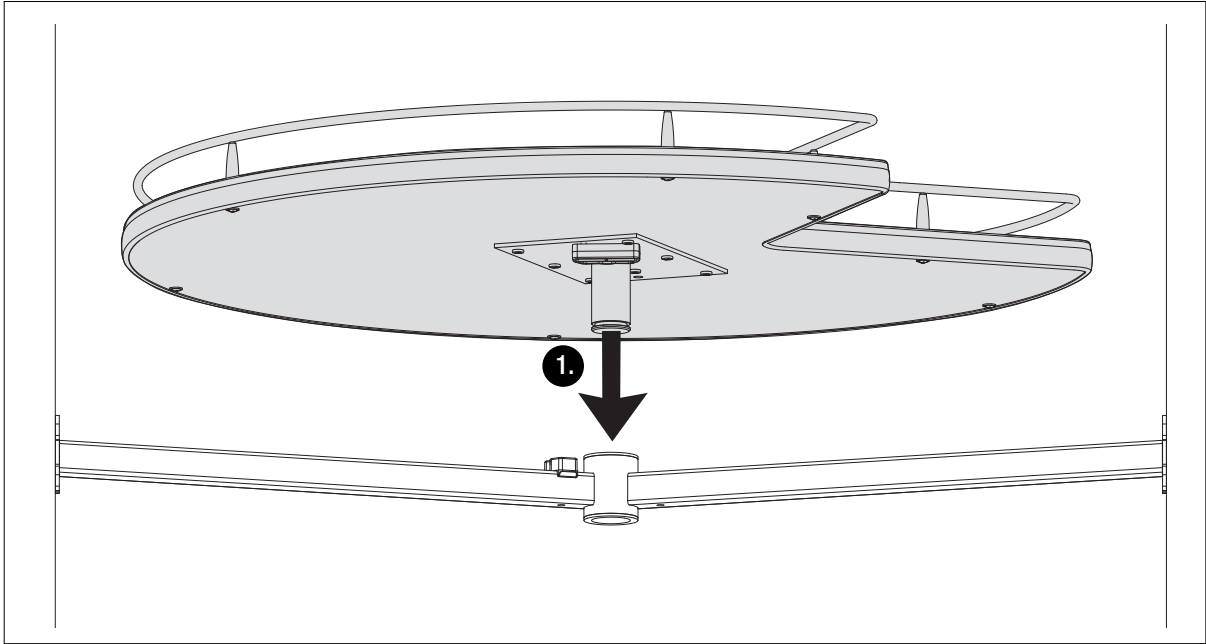


2





3





Recorner maxx Smart concave

## STORAGE VERSIONS ROUND SHELVES

Three storage versions for every design preference.

Vauth-Sagel will design a round base exactly to your requirements. There are three very different forms to choose from.



Basic



Rail



Smart

Vauth-Sagel app: More information and product details



The Vauth-Sagel app provides dealers, cabinet makers, joiners and installers all the information they need on every aspect of the Vauth-Sagel products.

VAUTH-SAGEL | [vs@vauth-sagel.de](mailto:vs@vauth-sagel.de) | [www.vauth-sagel.com](http://www.vauth-sagel.com)